

## Switching Regulator Circuit Collection

John Seago

Switching regulators are of universal interest. Linear Technology has made a major effort to address this topic. A catalog of circuits has been compiled so that a design engineer can swiftly determine which converter type is best. This catalog serves as a visual index to be browsed through for a specific or general interest.

The catalog is organized so that converter topologies can be easily found. There are 12 basic circuit categories: Battery, Boost, Buck, Buck-Boost, Flyback, Forward, High Voltage, Multioutput, Off Line, Preregulator, Switched Capacitor and Telecom. Additional circuit information can be located in the references listed in the index. The reference works as follows, i.e., AN8, Page 2 = Application Note 8, Page 2; LTC1044 DS = LTC1044 data sheet; DN17 = Design Note 17.

### DRAWING INDEX

FIGURE TITLE	FIGURE #	PAGE	REFERENCE/SOURCE
<b>Battery</b>			
2A Converter with 150 $\mu$ A Quiescent Current (6V to 12V)	Figure 5	6	AN29, Page 9
200mA Output Converter (1.5V to 5V)	Figure 6	7	AN29, Page 15
Up Converter (6V to 15V)	Figure 7	7	AN8, Page 9/LT1013 DS
Regulated Up Converter (5V to 10V)	Figure 8	8	LT1018 DS
Boost Converter (1.5V to 5V)	Figure 9	8	AN15, Page 7/LT1018 DS
Up Converter (1.5V to 5V)	Figure 10	8	LM10 DS
Single Cell Up Converter (1.5V to 5V)	Figure 11	8	AN8, Page 8
The Low Quiescent Current Loop Applied to a Buck Converter (8V-16V to 5V)	Figure 18	14	AN29, Page 12
Low Power Switching Regulator (9V to 5V)	Figure 23	17	AN8, Page 4/LT1013 DS
Micropower Switching Regulator (5.8V-10V to 5V)	Figure 24	17	AN23, Page 15
Transformer Coupled Low Quiescent Current Converter (12V to 5V, $\pm$ 12V)	Figure 30	20	AN29, Page 13
800 $\mu$ A Output Converter (1.5V to 5V)	Figure 40	26	AN29, Page 14
Switching Preregulated Linear Regulator (9V to 5V)	Figure 49	31	AN8, Page 5/LT1013 DS
Micropower Post Regulated Switching Regulator (6V-10V to 5V)	Figure 51	32	AN23, Page 16
Generating CMOS Logic Supply from 2 Mercury Batteries (2.4V to 4.8V)	Figure 71	38	LTC1044 DS
Battery Splitter (9V to $\pm$ 4.5V)	Figure 72	38	AN8, Page 2/LTC1044 DS
Regulated Voltage Up Converter	Figure 76	39	AN8, Page 7/LTC1044 DS
<b>Boost</b>			
Boost Converter (5V to 12V)	Figure 1	5	AN19, Page 13/AN25, Page 2/LT1070 DS
Voltage Boosted Boost Converter (15V to 100V)	Figure 2	5	AN19, Page 37/LT1070 DS
Current Boosted Boost Converter (16V-24V to 28V)	Figure 3	5	AN19, Page 40/LT1070 DS
Negative Boost Regulator (-15V to -28V)	Figure 4	5	AN19, Page 38/LT1070 DS
2A Converter with 150 $\mu$ A Quiescent Current (4.5V-8V to 12V)	Figure 5	6	AN29, Page 9
200mA Output Converter (1.5V to 5V)	Figure 6	7	AN29, Page 15
Up Converter (6V to 15V)	Figure 7	7	AN8, Page 9/LT1013 DS
Regulated Up Converter (5V to 10V)	Figure 8	8	LT1018 DS
Boost Converter (1.5V to 5V)	Figure 9	8	AN15, Page 7/LT1018 DS
Up Converter (1.5V to 5V)	Figure 10	8	LM10 DS

# Application Note 30

## DRAWING INDEX

FIGURE TITLE	FIGURE #	PAGE	REFERENCE/SOURCE
<b>Boost (Continued)</b>			
Single Cell Up Converter (1.5V to 5V)	Figure 11	8	AN8, Page 8
Single Inductor, Dual Polarity Regulator (6V to $\pm 15V$ )	Figure 12	9	AN8, Page 10/LT1013 DS
Single Inductor Regulated Converter (5V to $\pm 15V$ )	Figure 13	10	AN29, Page 6
Low Noise Converter (5V to $\pm 15V$ )	Figure 14	11	AN29, Page 2
Ultralow Noise Sine Wave Drive Converter (5V to $\pm 15V$ )	Figure 15	12	AN29, Page 4
Single Inductor, Dual Output Converter (5V to $\pm 15V$ )	Figure 16	13	
Basic Flash EPROM VPP Pulse Generator (5V to 12.75V or 12V)	Figure 87	43	DN17
High Repetition Rate VPP Pulse Generator (5V to 12.75V or 12V)	Figure 88	43	DN17
<b>Buck</b>			
Positive Buck Converter (15V-35V to 5V)	Figure 17	13	AN29, Page 23
The Low Quiescent Current Loop Applied to a Buck Converter (8V-16V to 5V)	Figure 18	14	AN29, Page 12
Positive Buck Converter (7V-15V to 5V)	Figure 19	15	
Positive Buck Converter	Figure 20	15	AN19, Page 23
Negative Buck Converter ( $-20V$ to $-5.25V$ )	Figure 21	16	AN19, Page 17/LT1070 DS
90% Efficiency Positive Buck Converter with Synchronous Switch (9.5V-14V to 5V)	Figure 22	16	AN29, Page 18
Low Power Switching Regulator (9V to 5V)	Figure 23	17	AN8, Page 4/LT1013 DS
Micropower Switching Regulator (5.8V-10V to 5V)	Figure 24	17	AN23, Page 15
5V, 1A Regulator (8V-30V to 5V)	Figure 25	18	LT3524 DS
High Power Linear Regulator with Switching Preregulator	Figure 46	30	AN29, Page 25/LT1083 DS
Linear Regulator with Switching Preregulator	Figure 48	31	AN2, Page 3
Switching Preregulated Linear Regulator (9V to 5V)	Figure 49	31	AN8, Page 5/LT1013 DS
Low Dissipation Regulator (10V-20V to 5V)	Figure 50	32	LT1035 DS
Micropower Post Regulated Switching Regulator (6V-10V to 5V)	Figure 51	32	AN23, Page 16
High Current Low Dissipation Preregulated Linear Regulator	Figure 52	33	AN2, Page 4/LT1038 DS
Switching Preregulator for Wide Input Voltage Range (7.5V-30V to 5V)	Figure 53	33	LT1020 DS
High Current Positive Buck with Bootstrapped NMOS Gate Drive (15V-35V to 5V)	Figure 89	44	
<b>Buck-Boost</b>			
Positive Buck-Boost Converter (15V-35V to 28V)	Figure 26	18	AN29, Page 24
Nonisolated Regulator ( $-48V$ to 5V)	Figure 27	19	AN19, Page 20/AN25, Page 4/AN29, Page 21
Positive-to-Negative Buck-Boost Converter (10V-30V to $-12V$ )	Figure 28	19	AN19, Page 39/LT1070 DS
<b>Flyback</b>			
Flyback Converter (20V-30V to 5V)	Figure 29	20	AN19, Page 26/AN29, Page 20/LT1070 DS
Transformer Coupled Low Quiescent Current Converter (12V to 5V, $\pm 12V$ )	Figure 30	20	AN29, Page 13
Totally Isolated Converter (5V to $\pm 15V$ )	Figure 31	21	AN19, Page 30/LT1070 DS
Input Positive Output Negative Flyback Converter (3.5V-35V to $-5V$ )	Figure 32	21	AN29, Page 22
High Efficiency Flux Sensed Isolated Converter (12V to 5V)	Figure 33	22	AN29, Page 19
Positive Current Boosted Buck Converter (28V to 5V)	Figure 34	22	AN19, Page 34/LT1070 DS
Negative Current Boosted Buck Converter	Figure 35	23	AN19, Page 36/LT1070 DS
Negative Input-Negative Output Flyback Converter	Figure 36	23	AN19, Page 36/LT1070 DS
Positive Input-Negative Output Flyback Converter	Figure 37	24	AN19, Page 37/LT1070 DS
Fully Isolated Regulator ( $-48V$ to 5V)	Figure 38	24	AN25, Page 6
Low $I_Q$ , Isolated Converter (5V to $\pm 15V$ )	Figure 39	25	AN29, Page 7
800 $\mu A$ Output Converter (1.5V to 5V)	Figure 40	26	AN29, Page 14
Multioutput Flyback Converter (12V to 5V, $\pm 12V$ )	Figure 85	42	DN18
Multioutput, Transformer Coupled Low Quiescent Current Converter (12V to 5V, $\pm 12V$ )	Figure 86	42	DN18

## DRAWING INDEX

FIGURE TITLE	FIGURE #	PAGE	REFERENCE/SOURCE
<b>Forward</b>			
Forward Converter (20V-30V to 5V)	Figure 41	27	AN19, Page 41/LT1070 DS
<b>High Voltage</b>			
Nonisolated Converter (15V to 1000V)	Figure 42	27	AN29, Page 26
Isolated Output Converter (15V to 1000V)	Figure 43	28	AN29, Page 27
Converter with 20,000V Isolation (15V to 10V)	Figure 44	28	AN29, Page 28
<b>Multioutput</b>			
Single Inductor, Dual Polarity Regulator (6V to $\pm 15V$ )	Figure 12	9	AN8, Page 10/LT1013 DS
Single Inductor Regulated Converter (5V to $\pm 15V$ )	Figure 13	10	AN29, Page 6
Low Noise Converter (5V to $\pm 15V$ )	Figure 14	11	AN29, Page 2
Ultralow Noise Sine Wave Drive Converter (5V to $\pm 15V$ )	Figure 15	12	AN29, Page 4
Single Inductor, Dual Output Converter (5V to $\pm 15V$ )	Figure 16	13	
Transformer Coupled Low Quiescent Current Converter (12V to 5V, $\pm 12V$ )	Figure 30	20	AN29, Page 13
Totally Isolated Converter (5V to $\pm 15V$ )	Figure 31	21	AN19, Page 30/LT1070 DS
Low $I_Q$ , Isolated Converter (5V to $\pm 15V$ )	Figure 39	25	AN29, Page 7
Dual Preregulated Supply (90V AC-130V AC to $\pm 12V$ )	Figure 47	30	LT1086 DS
Dual Output Voltage Doubler	Figure 60	35	LT1054 DS
Switched Capacitor Converter (5V to $\pm 12V$ )	Figure 61	35	AN29, Page 30/LT1054 DS
Switched Capacitor Charge Pump-Based Voltage Multiplier (5V to $\pm 12V$ )	Figure 62	36	AN29, Page 31
Dual Output Switched Capacitor Voltage Generator	Figure 78	39	LT1026 DS
Switched Capacitor-Based Converter (6V to $\pm 7V$ )	Figure 79	40	AN29, Page 31
Voltage Multiplier ( $\pm 5V$ to $\pm 15V$ )	Figure 81	41	LT1032 DS
High Current Switched Capacitor Converter (6V to $\pm 5V$ )	Figure 84	41	AN29, Page 29
Multioutput Flyback Converter (12V to 5V, $\pm 12V$ )	Figure 85	42	DN18
Multioutput, Transformer Coupled Low Quiescent Current Converter (12V to 5V, $\pm 12V$ )	Figure 86	42	DN18
<b>Off Line</b>			
100W Off-Line Switching Regulator. DANGER! Lethal Potentials Present	Figure 45	29	AN25, Page 8
<b>Preregulator</b>			
High Power Linear Regulator with Switching Preregulator	Figure 46	30	AN29, Page 25/LT1083 DS
Dual Preregulated Supply (90V AC-130V AC to $\pm 12V$ )	Figure 47	30	LT1086 DS
Linear Regulator with Switching Preregulator	Figure 48	31	AN2, Page 3
Switching Preregulated Linear Regulator (9V to 5V)	Figure 49	31	AN8, Page 5/LT1013 DS
Low Dissipation Regulator (10V-20V to 5V)	Figure 50	32	LT1035 DS
Micropower Post Regulated Switching Regulator (6V-10V to 5V)	Figure 51	32	AN23, Page 16
High Current Low Dissipation Preregulated Linear Regulator	Figure 52	33	AN2, Page 4/LT1038 DS
Switching Preregulator for Wide Input Voltage Range (7.5V-30V to 5V)	Figure 53	33	LT1020 DS
<b>Switched Capacitor</b>			
Basic Voltage Inverter	Figure 54	34	LT1054 DS
Basic Voltage Inverter/Regulator	Figure 55	34	LT1054 DS
Negative Voltage Doubler	Figure 56	34	LT1054 DS
Positive Doubler	Figure 57	34	AN29, Page 30/LT1054 DS
Switched Capacitor $-V_{IN}$ to $V_{OUT}$ Converter	Figure 58	34	AN29, Page 29
100mA Regulating Negative Doubler	Figure 59	35	LT1054 DS
Dual Output Voltage Doubler	Figure 60	35	LT1054 DS
Switched Capacitor Converter (5V to $\pm 12V$ )	Figure 61	35	AN29, Page 30/LT1054 DS

# Application Note 30

## DRAWING INDEX

FIGURE TITLE	FIGURE #	PAGE	REFERENCE/SOURCE
<b>Switched Capacitor (Continued)</b>			
Switched Capacitor Charge Pump-Based Voltage Multiplier (5V to $\pm 12V$ ) Regulator (3.5V to 5V)	Figure 62	36	AN29, Page 31
Regulating 200mA Converter (12V to $-5V$ )	Figure 63	36	LT1054 DS
Digitally Programmable Negative Supply	Figure 64	36	LT1054 DS
Positive Doubler with Regulation	Figure 65	37	LT1054 DS
Negative Doubler with Regulator	Figure 66	37	LT1054 DS
Negative Voltage Converter	Figure 67	37	LT1054 DS
Voltage Doubler	Figure 68	37	LTC1044 DS
Voltage Doubler	Figure 69	37	LTC1044 DS
Voltage Doubler	Figure 70	38	AN8, Page 6
Generating CMOS Logic Supply from 2 Mercury Batteries (2.4V to 4.8V)	Figure 71	38	LTC1044 DS
Battery Splitter (9V to $\pm 4.5V$ )	Figure 72	38	AN8, Page 2/LTC1044 DS
Paralleling for Lower Output Resistance	Figure 73	38	LTC1044 DS
Stacking for Higher Voltage	Figure 74	38	LTC1044 DS
Voltage Tripler/Quadrupler	Figure 75	39	LTC1044 DS
Regulated Voltage Up Converter (3V to 5V)	Figure 76	39	AN8, Page 7/LTC1044 DS
Regulated Negative Voltage Converter	Figure 77	39	AN8, Page 2/LTC1044 DS
Dual Output Switched Capacitor Voltage Generator	Figure 78	39	LT1026 DS
Switched Capacitor-Based Converter (6V to $\pm 7V$ )	Figure 79	40	AN29, Page 31
High Power Switched Capacitor Converter (12V to 5V)	Figure 80	40	AN3, Page 16/AN8, Page 5/AN29, Page 32
Voltage Multiplier ( $\pm 5V$ to $\pm 15V$ )	Figure 81	41	LT1032 DS
Charge Pump Negative Voltage Generator	Figure 82	41	LT1020 DS
Charge Pump Voltage Doubler	Figure 83	41	LT1020 DS
High Current Switched Capacitor Converter (6V to $\pm 5V$ )	Figure 84	41	AN29, Page 29
<b>Telecom</b>			
Nonisolated Regulator ( $-48V$ to 5V)	Figure 27	19	AN19, Page 20/AN25, Page 4/AN29, Page 21
Fully Isolated Regulator ( $-48V$ to 5V)	Figure 38	24	AN25, Page 6

## SUGGESTED READING

Pulse Engineering Catalog—Switching Magnetics

Pulse Engineering, Inc.

P.O. Box 12235

San Diego, CA 92112

(619) 268-2400

Pressman, A.I., "Switching and Linear Power Supplies, Power Converter Design," Hayden Book Co., Hasbrouck Heights, New Jersey, 1977, ISBN 0-8104-5847-0.

Chryssis, G., "High Frequency Switching Power Supplies, Theory and Design," McGraw Hill, New York, 1984, ISBN 0-07-010949-4

Nelson, C., "LT1070 Design Manual," Linear Technology Corporation, Application Note 19.

Williams, J., "Switching Regulators for Poets," Linear Technology Corporation, Application Note 25.

Williams, J., "Power Conditioning Techniques for Batteries," Linear Technology Corporation, Application Note 8.

Williams, J. and Huffman, B., "Some Thoughts on DC-DC Converters," Linear Technology Corporation, Application Note 29.

Williams, J., "Inductor Selection for LT1070 Switching Regulators," Linear Technology Corporation, Design Note 8.

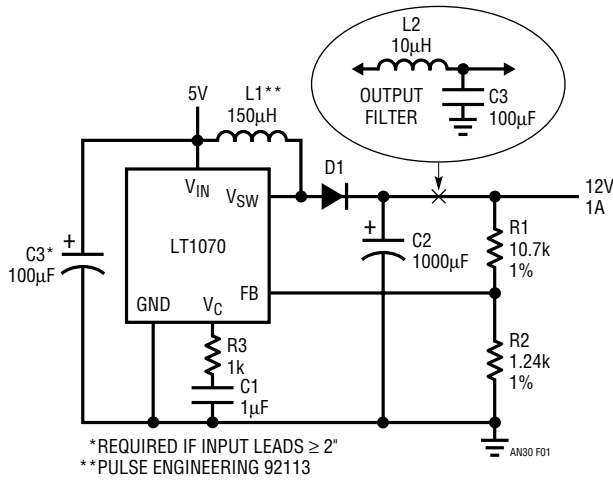


Figure 1. Boost Converter (5V to 12V)

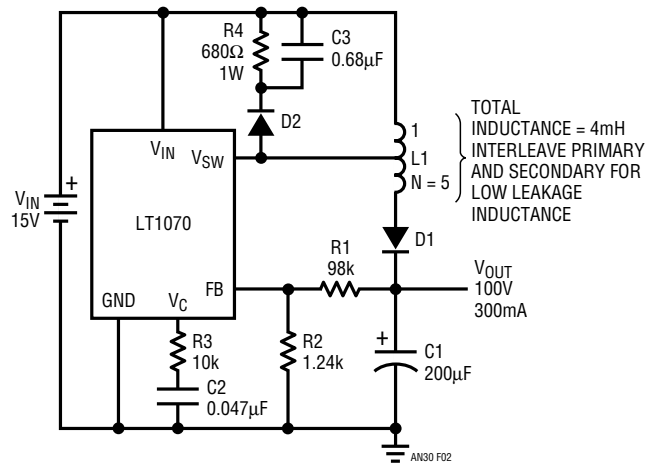


Figure 2. Voltage Boosted Boost Converter (15V to 100V)

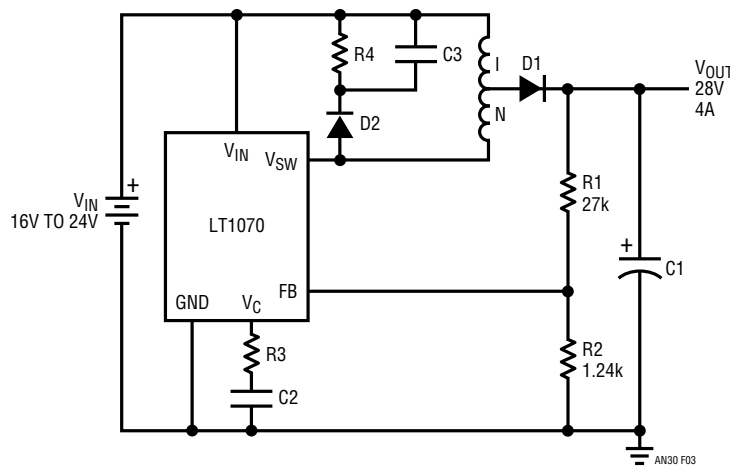


Figure 3. Current Boosted Boost Converter (16V-24V to 28V)

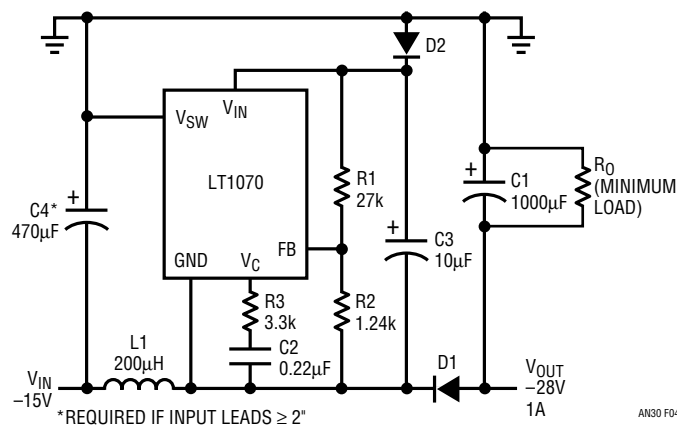


Figure 4. Negative Boost Regulator (-15V to -28V)

# Application Note 30

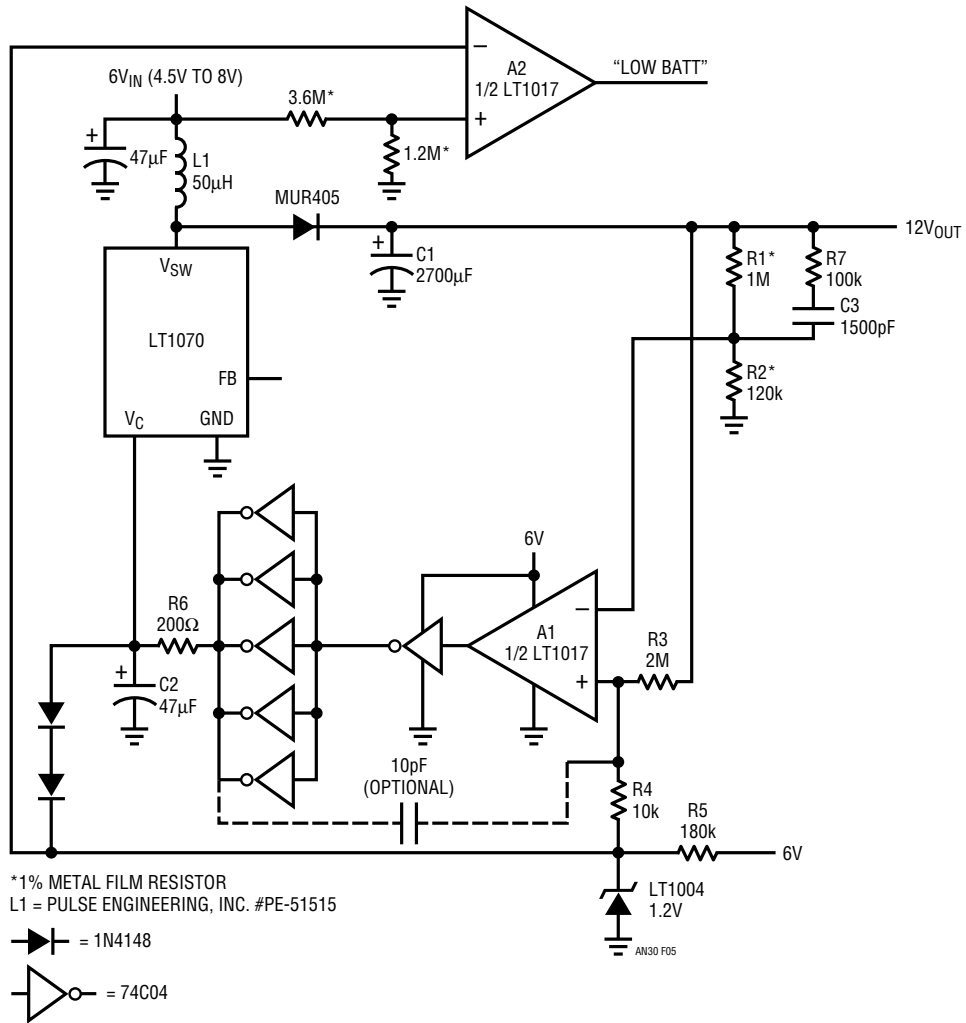


Figure 5. 2A Converter with 150µA Quiescent Current (4.5V-8V to 12V)

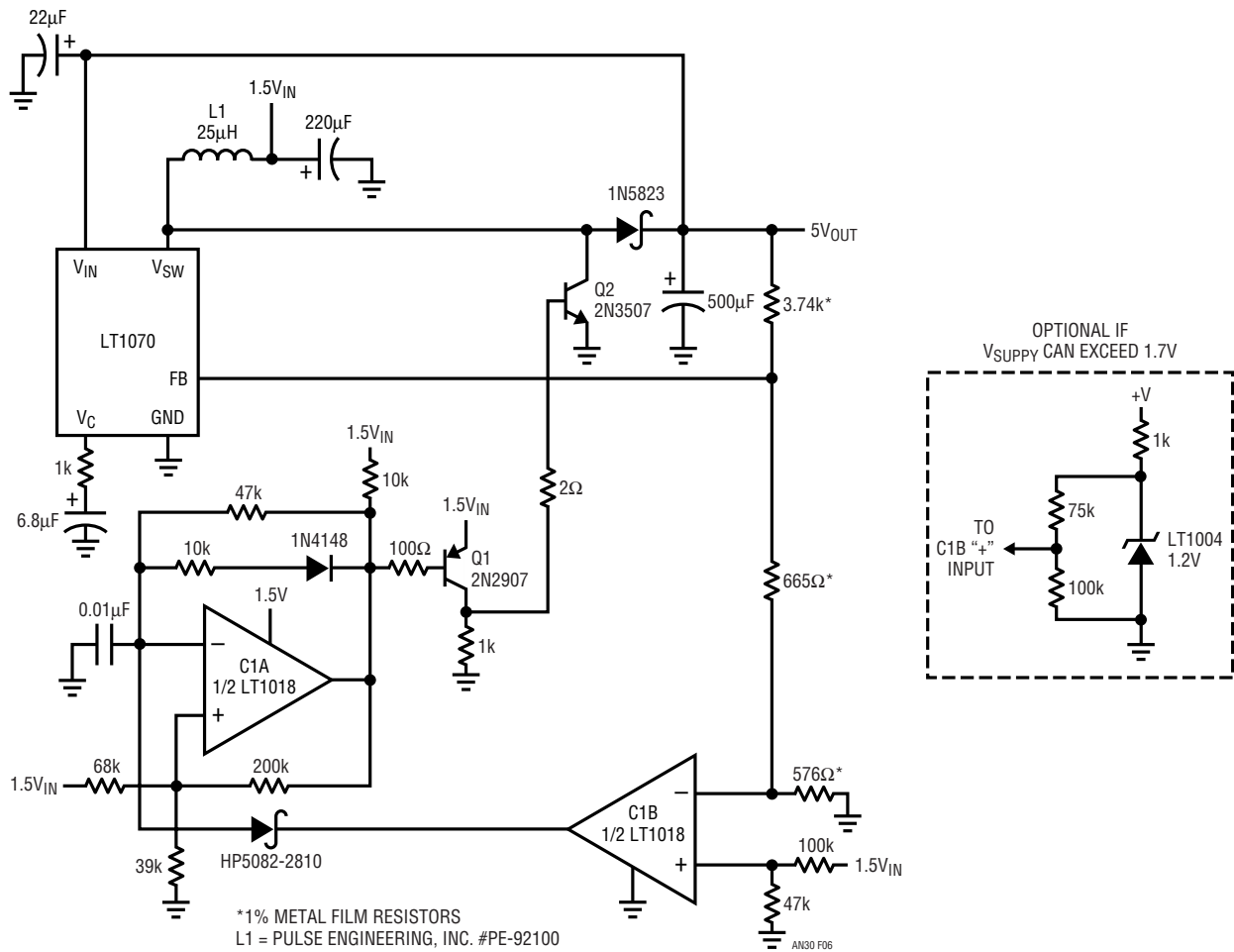


Figure 6. 200mA Output Converter (1.5V to 5V)

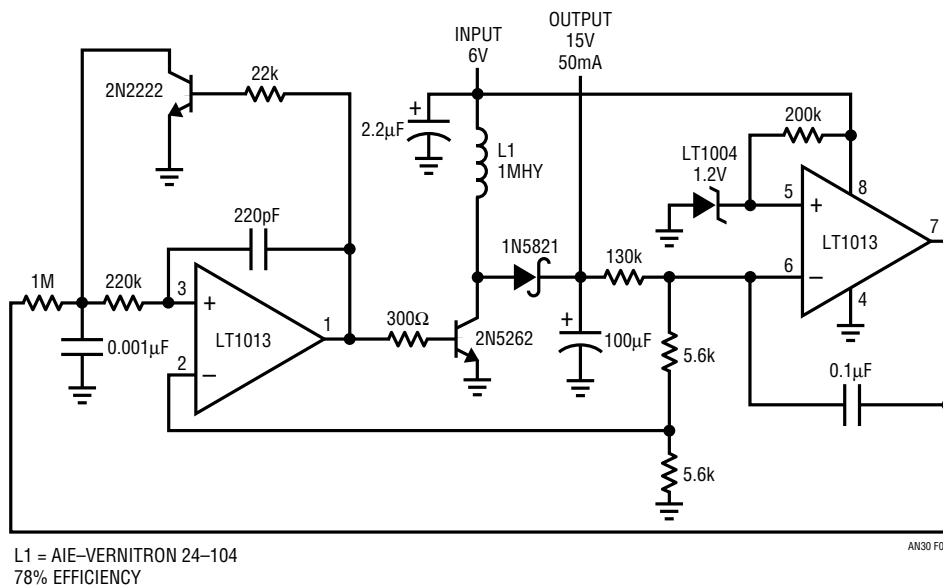


Figure 7. Up Converter (6V to 15V)

# Application Note 30

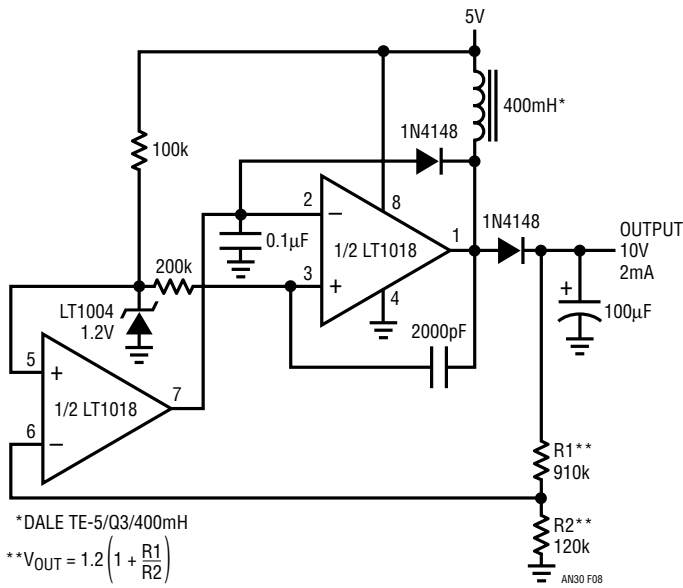


Figure 8. Regulated Up Converter (5V to 10V)

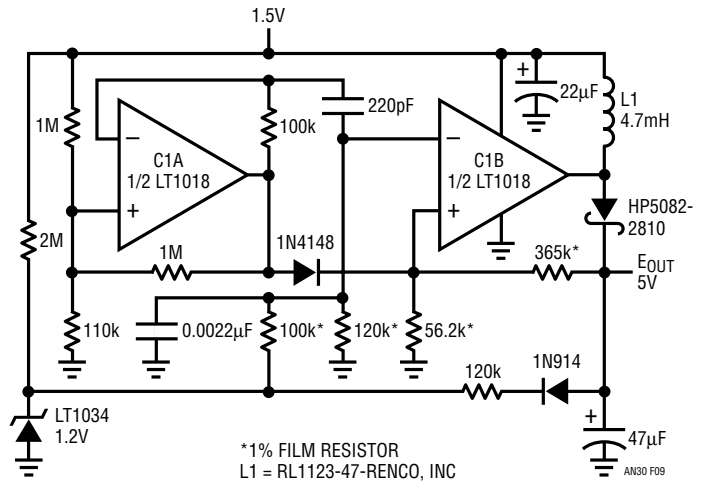


Figure 9. Boost Converter (1.5V to 5V)

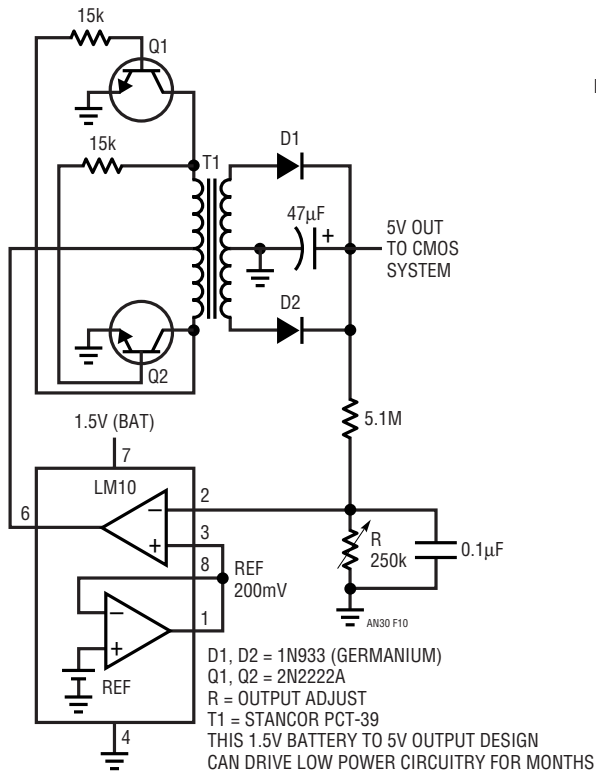


Figure 10. Up Converter (1.5V to 5V)

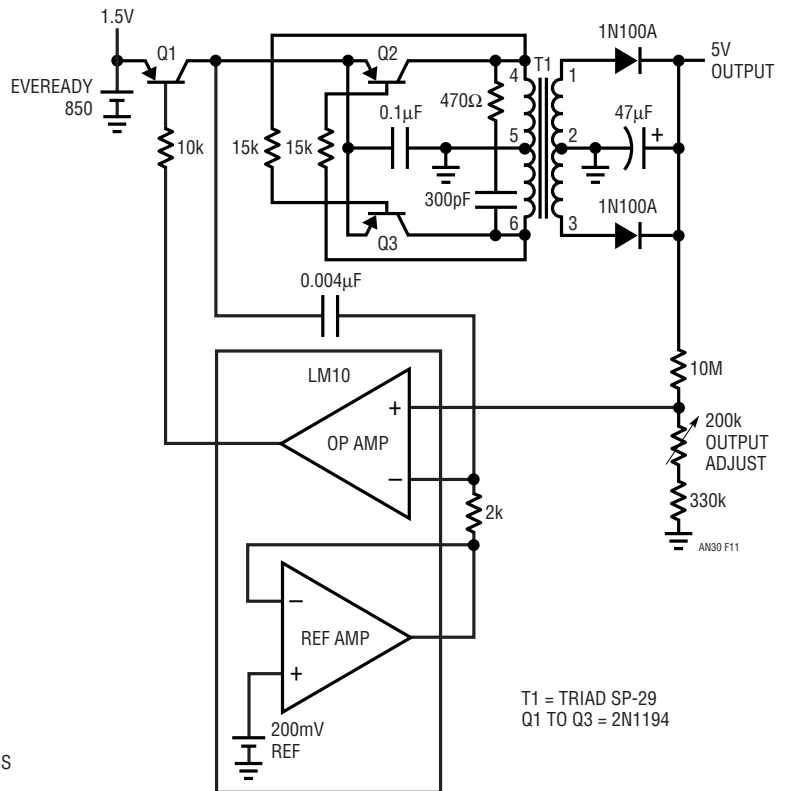


Figure 11. Single Cell Up Converter (1.5V to 5V)



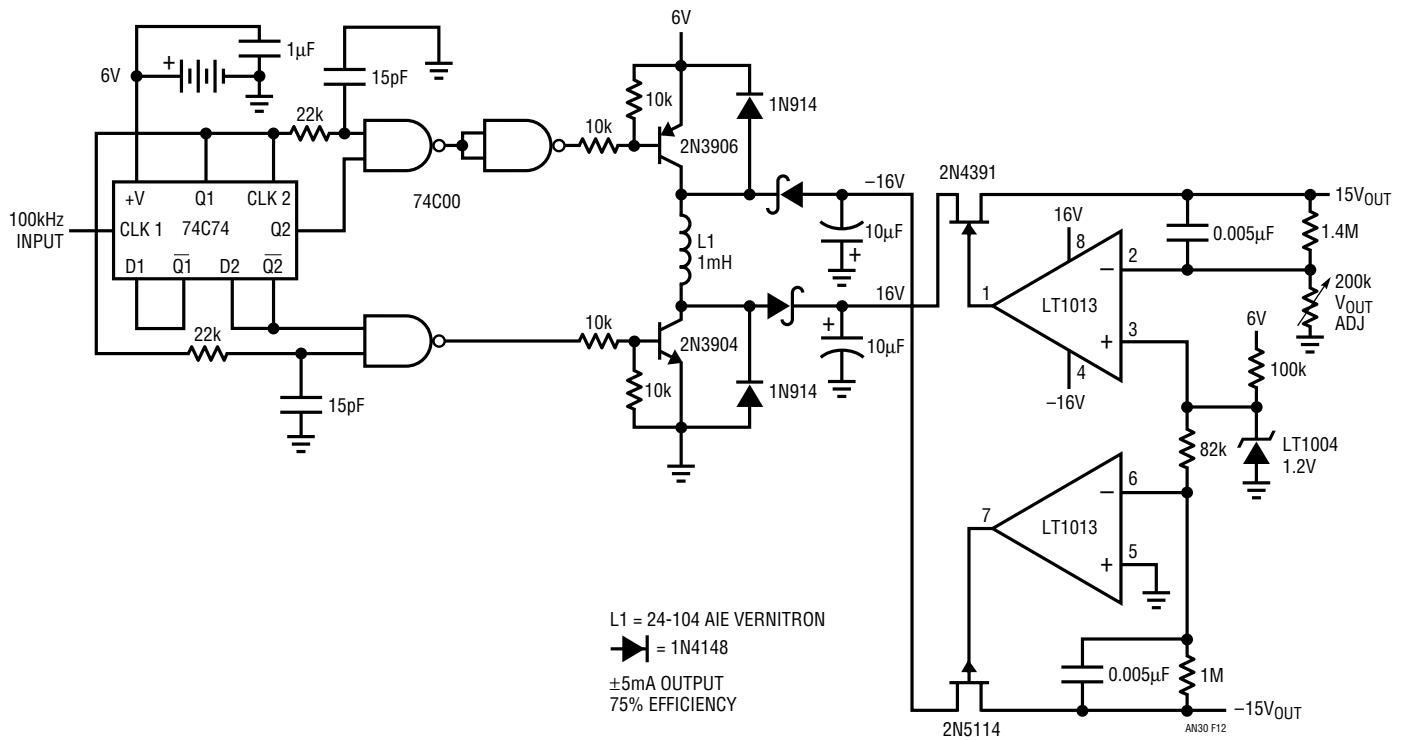


Figure 12. Single Inductor, Dual Polarity Regulator (6V to ±15V)

# Application Note 30

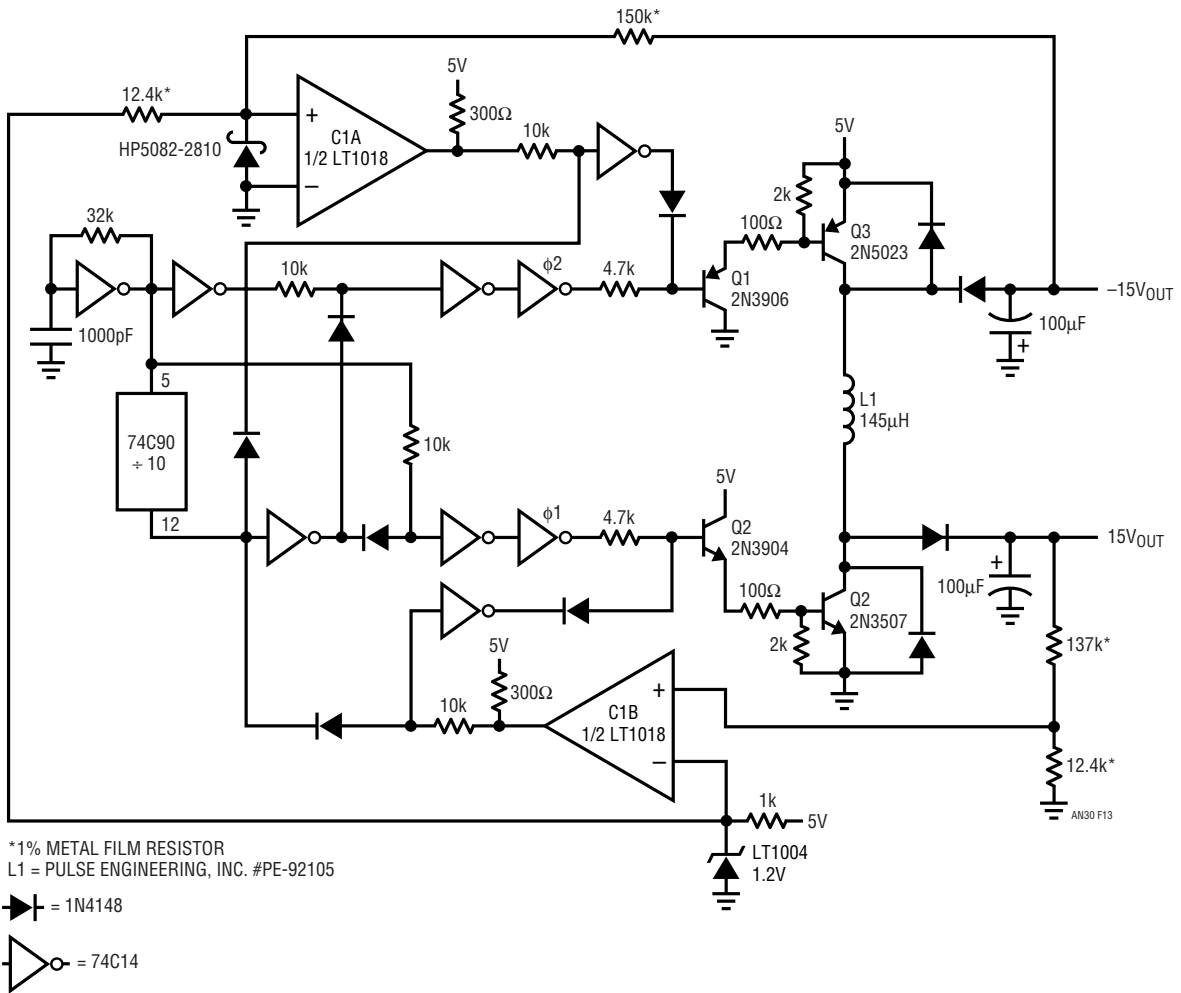


Figure 13. Single Inductor Regulated Converter (5V to ±15V)

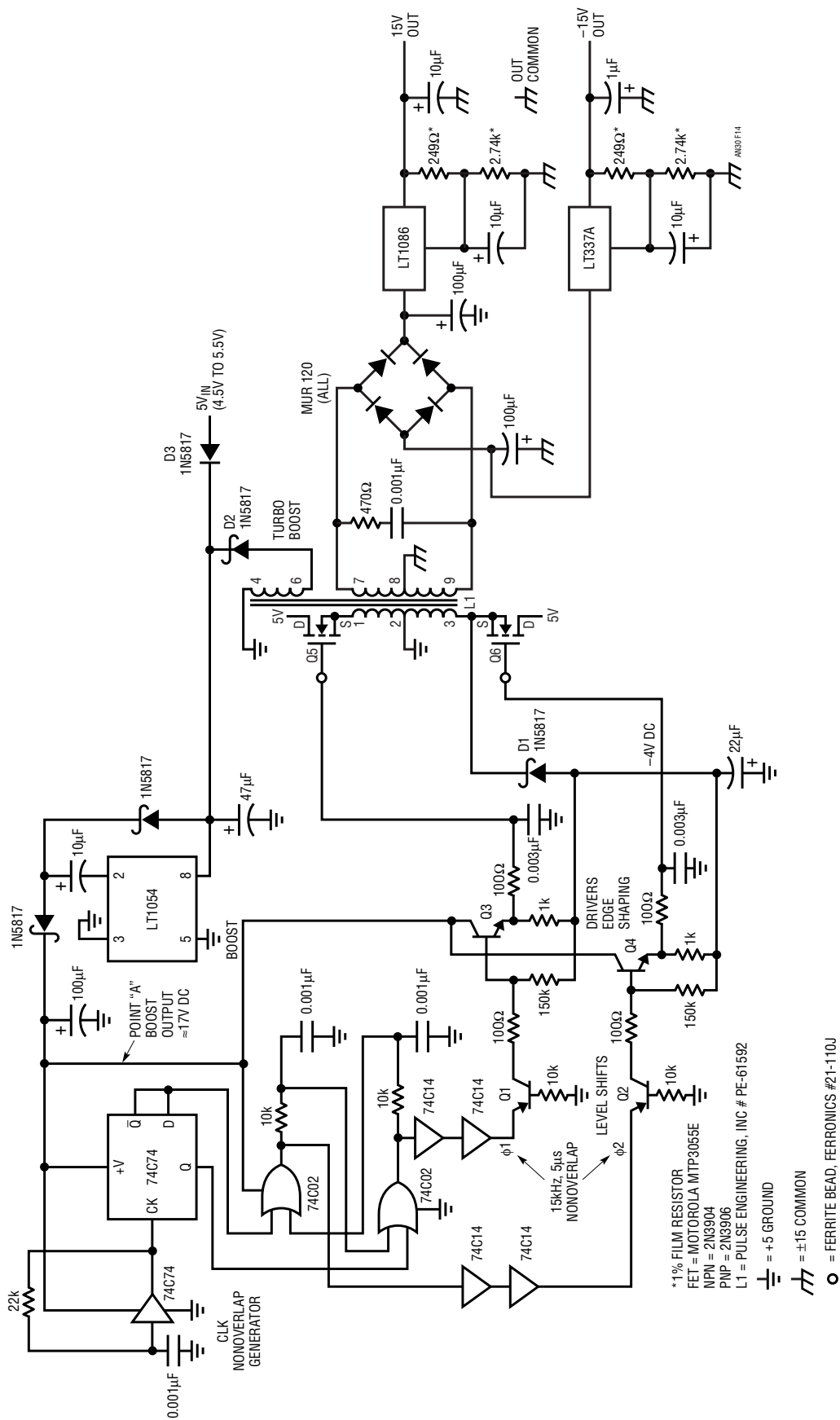


Figure 14. Low Noise Converter (5V to ±15V)

# Application Note 30

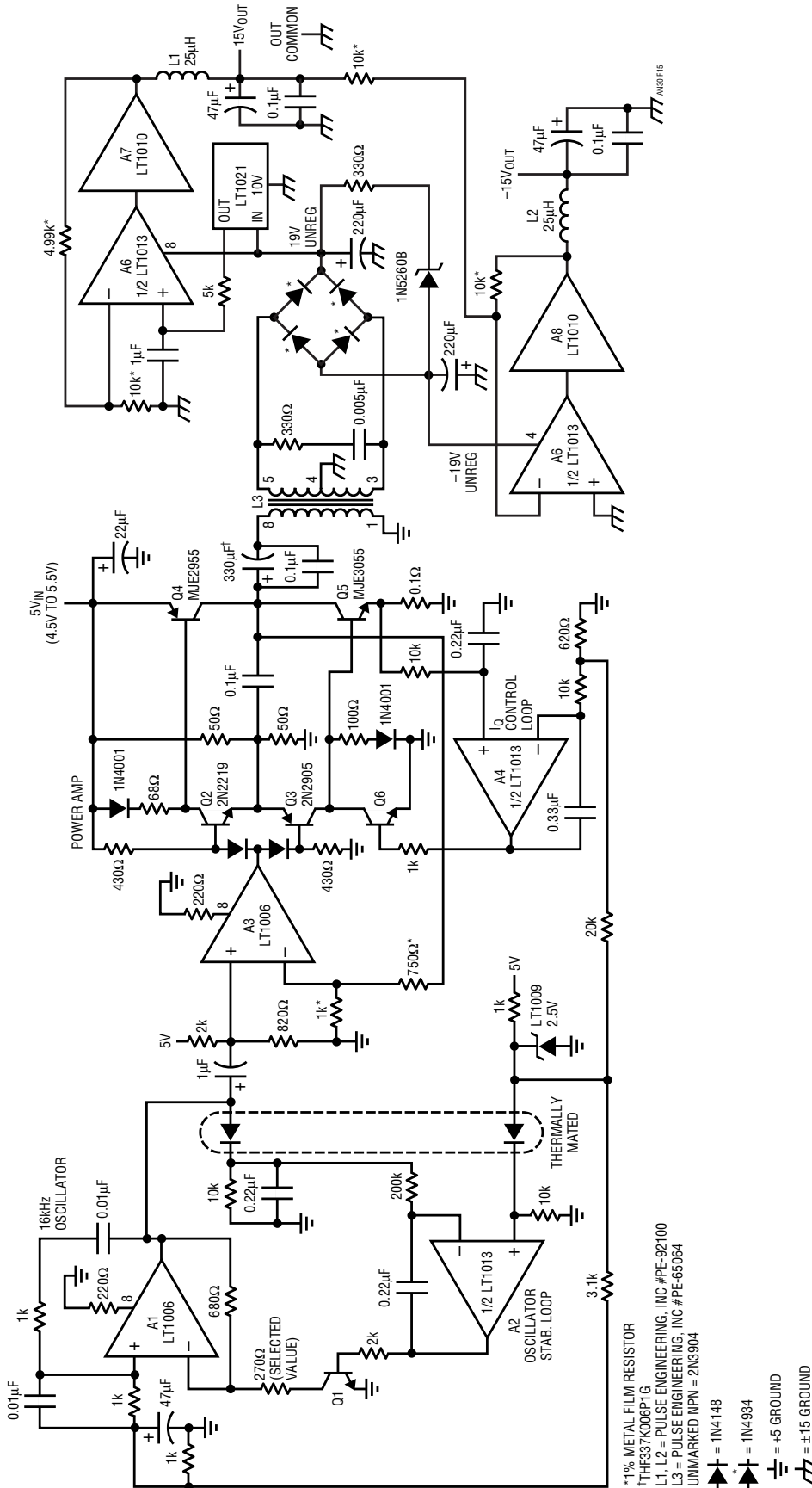
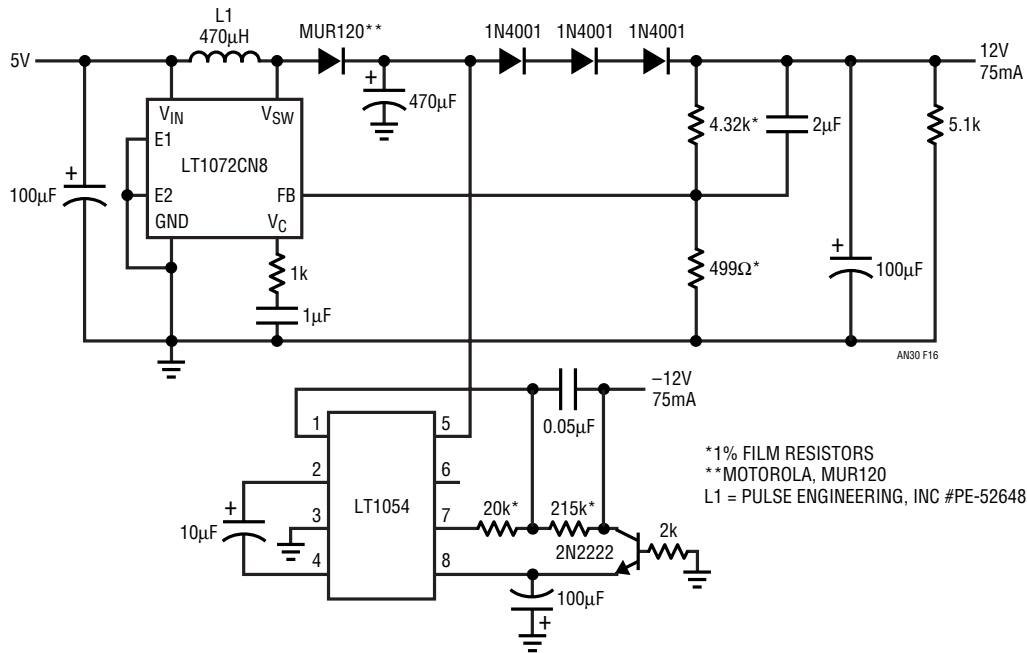
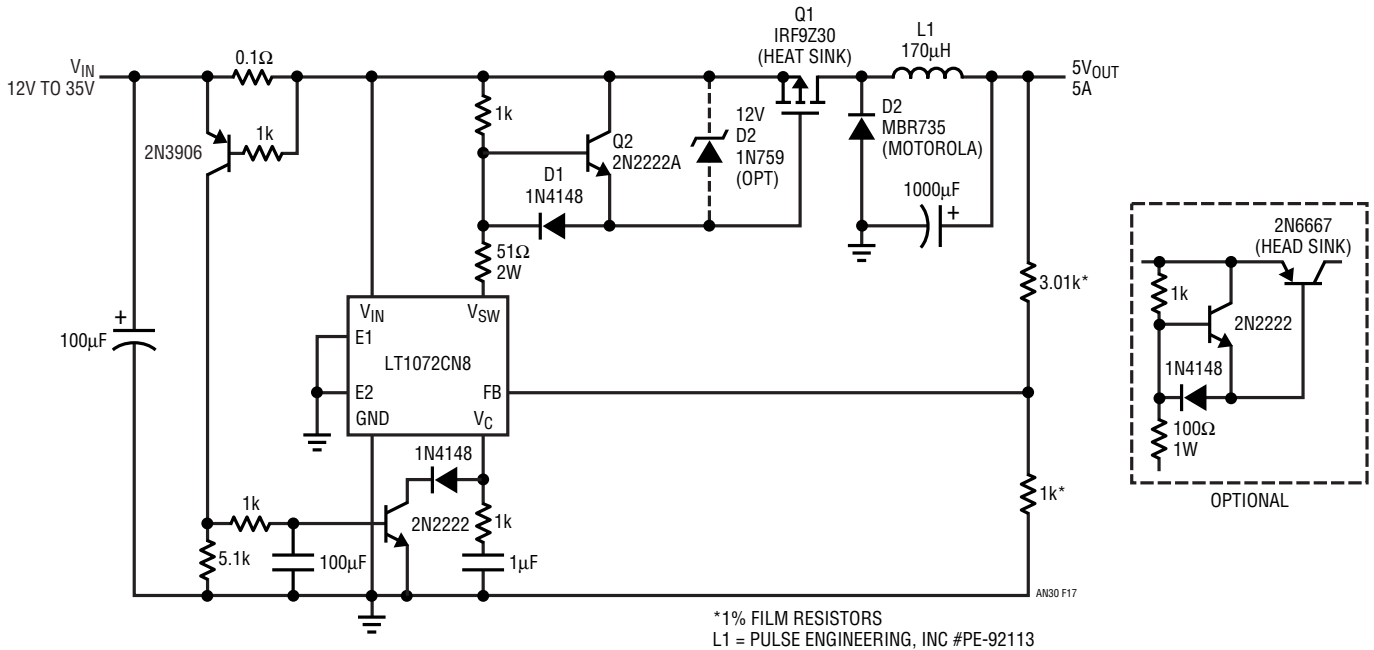


Figure 15. Ultralow Noise Sine Wave Drive Converter (5V to  $\pm 15V$ )

- \* 1% METAL FILM RESISTOR
- † THF337K006PTG
- L1, L2 = PULSE ENGINEERING, INC. #PE-92100
- L3 = PULSE ENGINEERING, INC. #PE-65064
- UNMARKED MPN = ZN3904
- ▲ = 1N4148
- ▲ = 1N4934
- ⊖ = +5 GROUND
- ⊖ =  $\pm 15$  GROUND



**Figure 16. Single Inductor, Dual Output Converter (5V to ±15V)**



**Figure 17. Positive Buck Converter (15V-35V to 5V)**

# Application Note 30

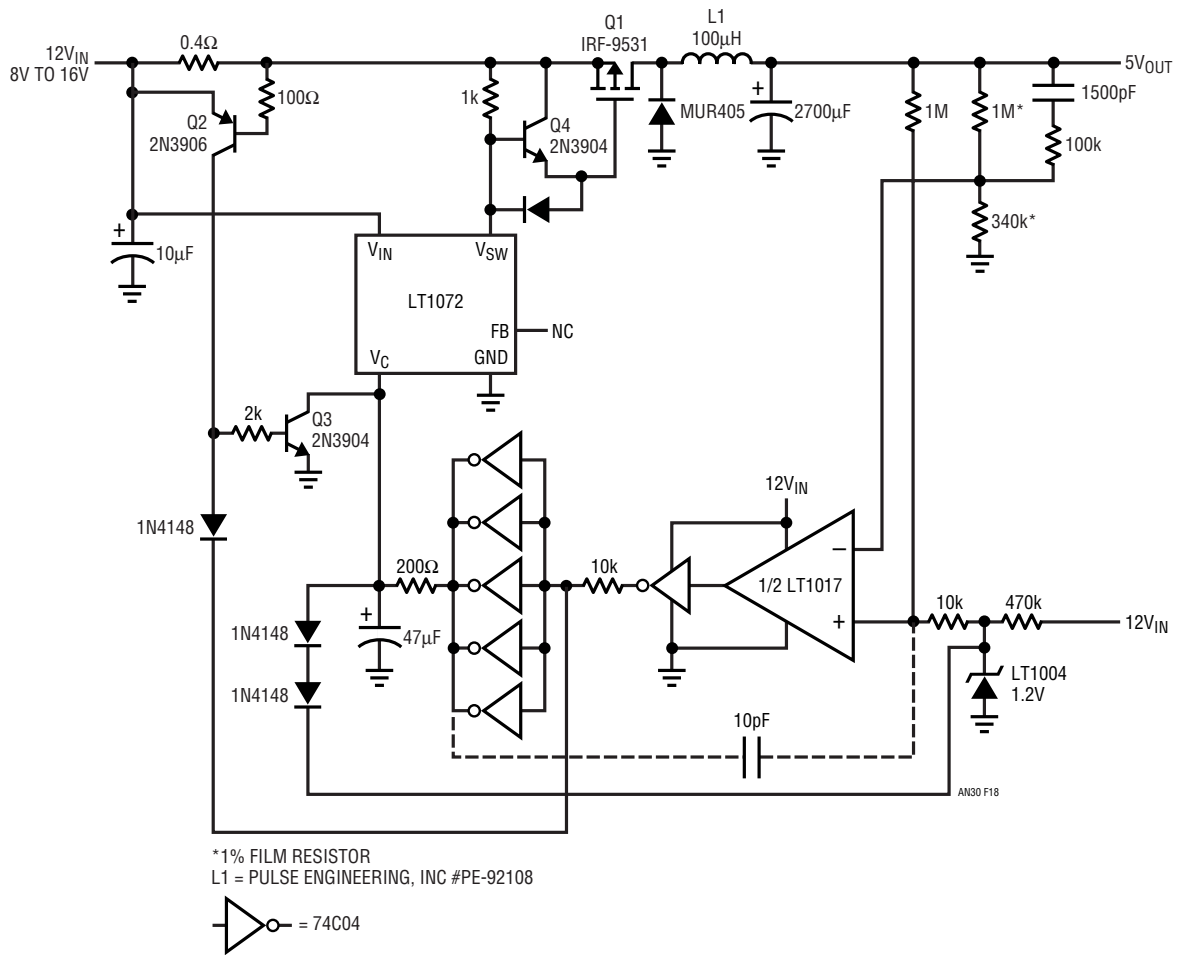


Figure 18. The Low Quiescent Current Loop Applied to a Buck Converter (8V-16V to 5V)

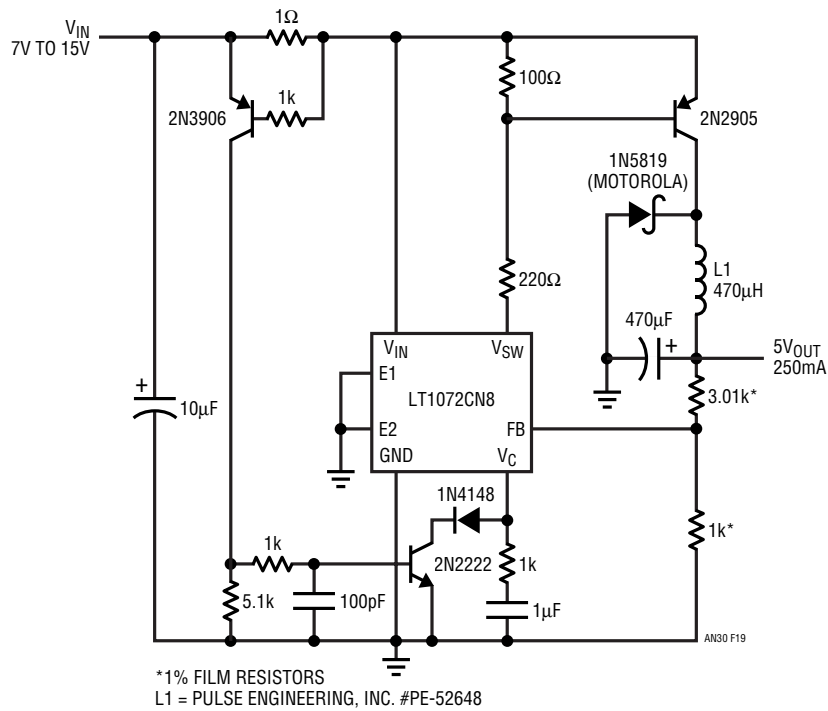


Figure 19. Positive Buck Converter (7V-15V to 5V)

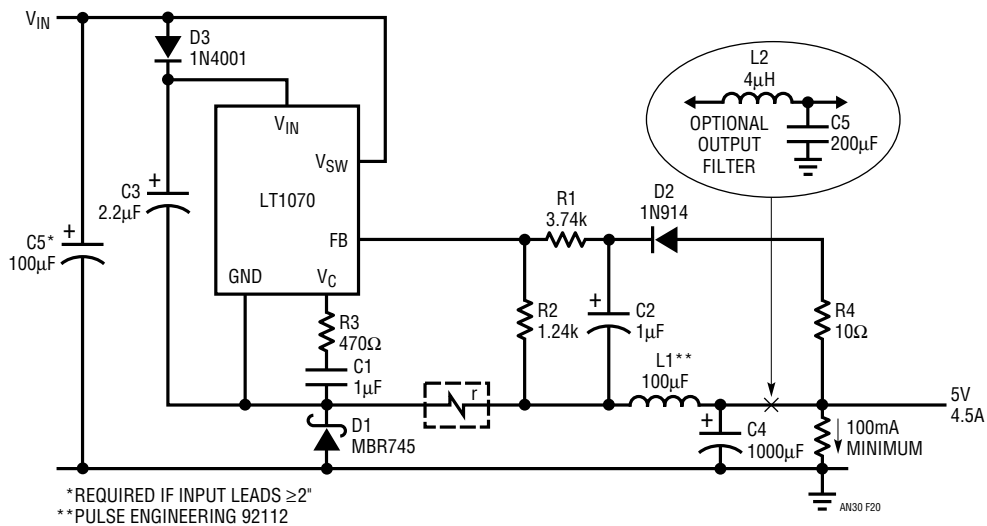


Figure 20. Positive Buck Converter

# Application Note 30

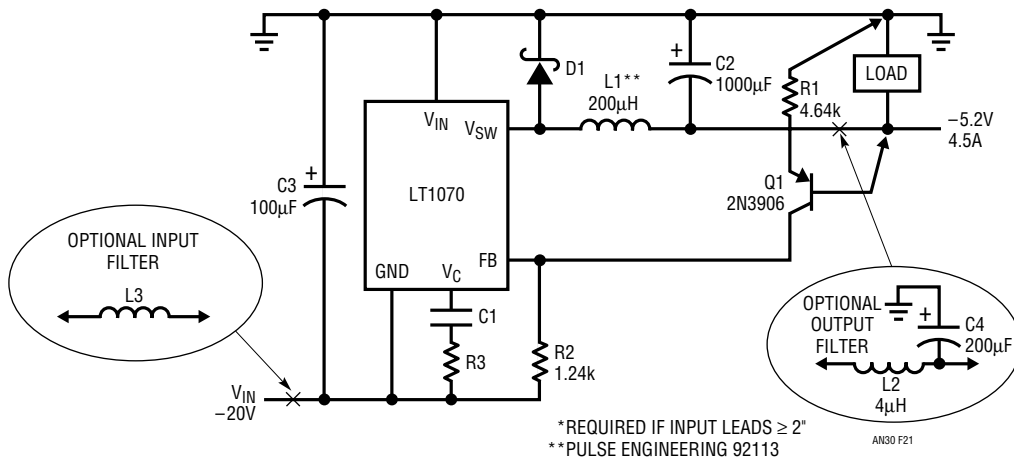


Figure 21. Negative Buck Converter (-20V to -5.2V)

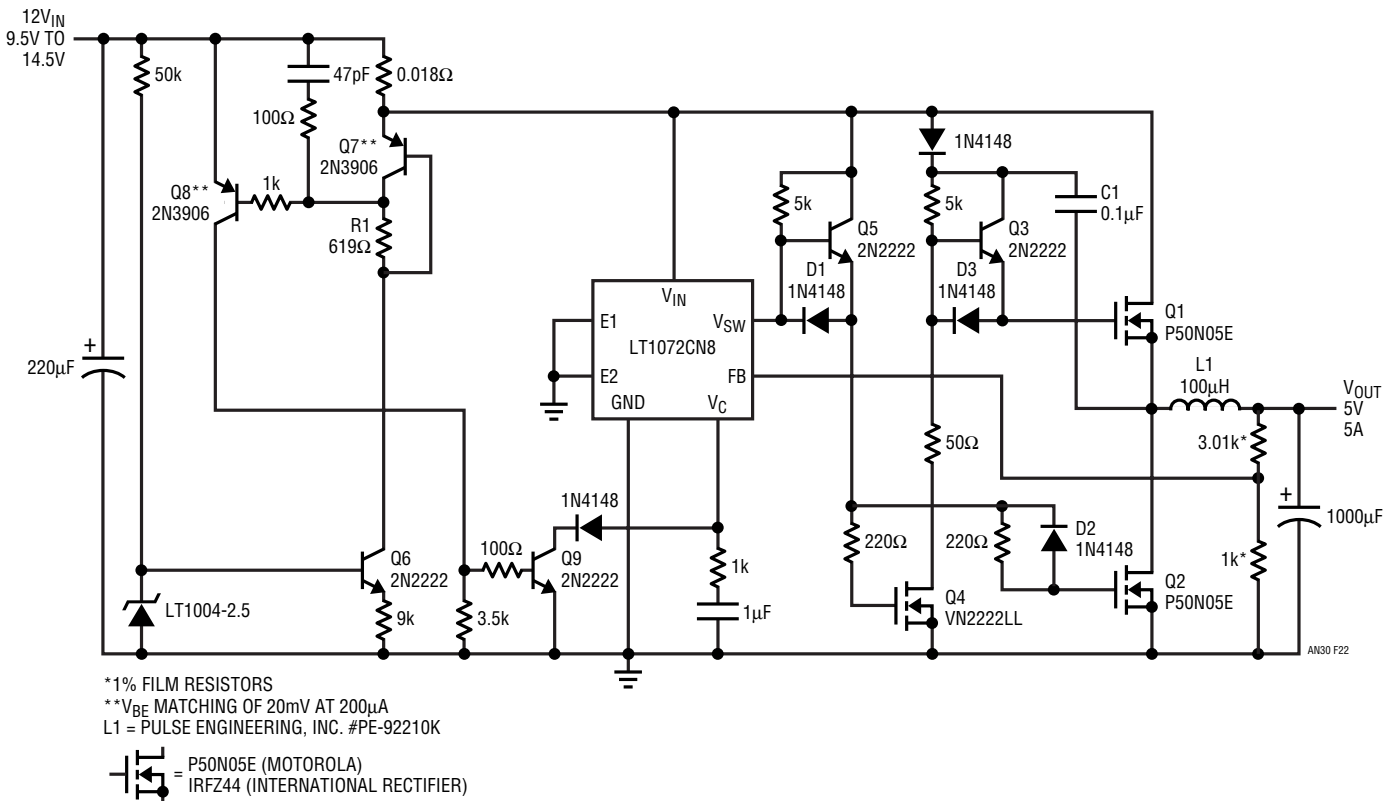


Figure 22. 90% Efficiency Positive Buck Converter with Synchronous Switch (9.5V-14V to 5V)



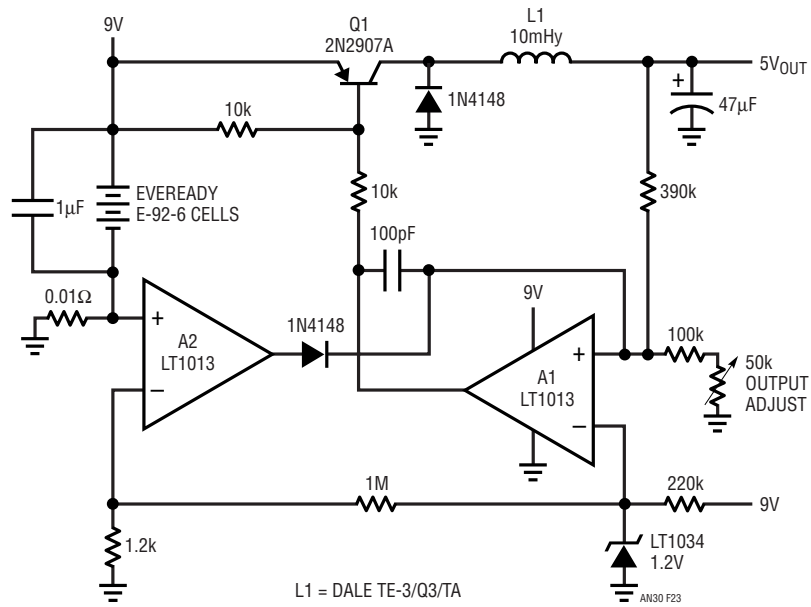


Figure 23. Low Power Switching Regulator (9V to 5V)

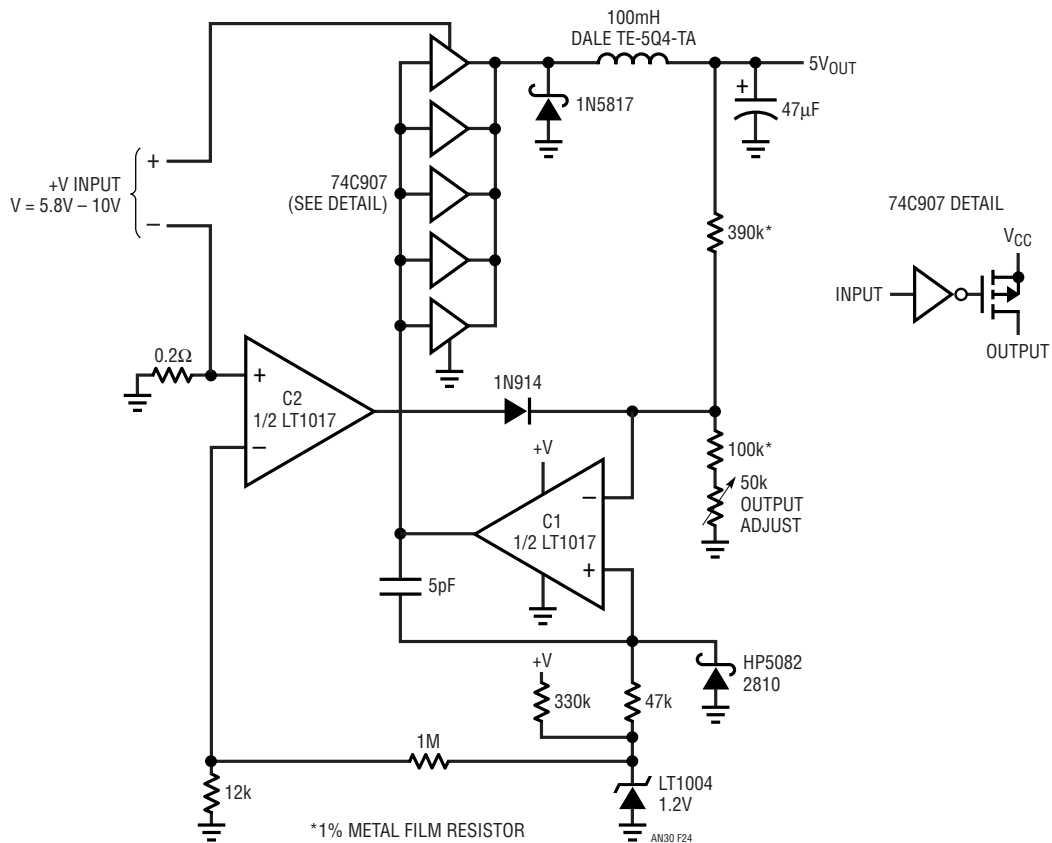


Figure 24. Micropower Switching Regulator (5.8V-10V to 5V)

# Application Note 30

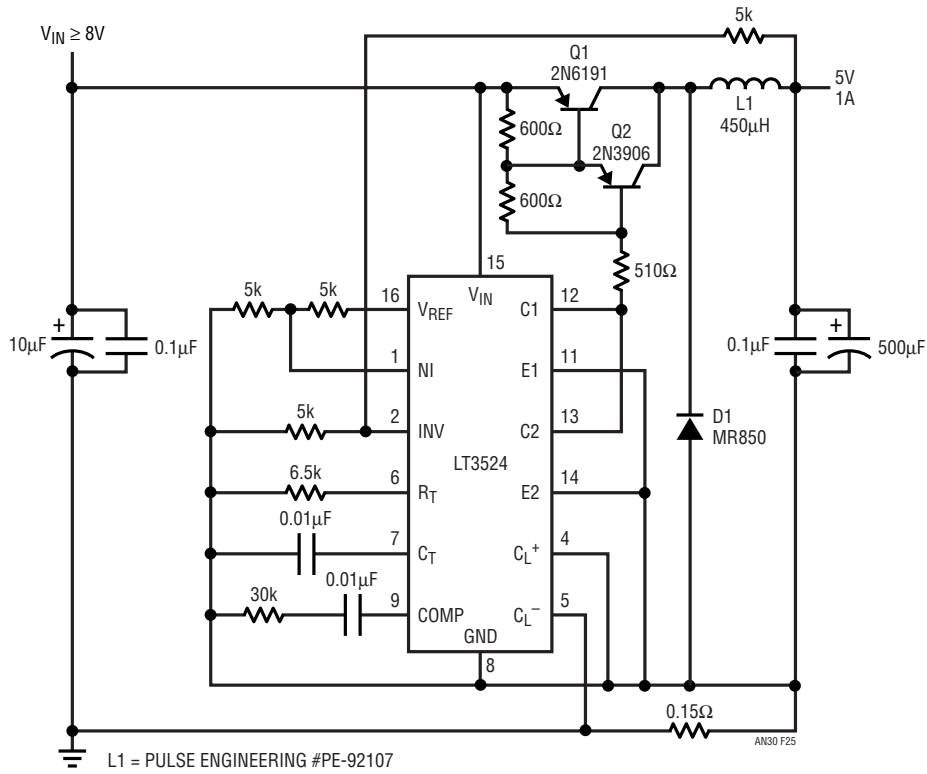


Figure 25. 5V, 1A Regulator (8V-30V to 5V)

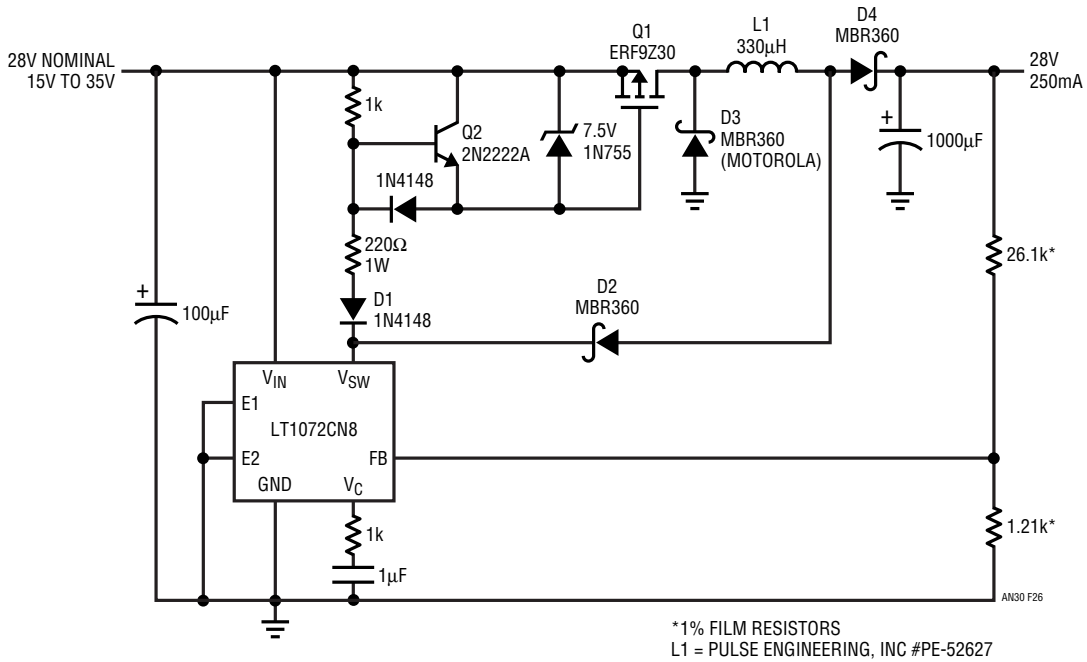


Figure 26. Positive Buck-Boost Converter (15V-35V to 28V)

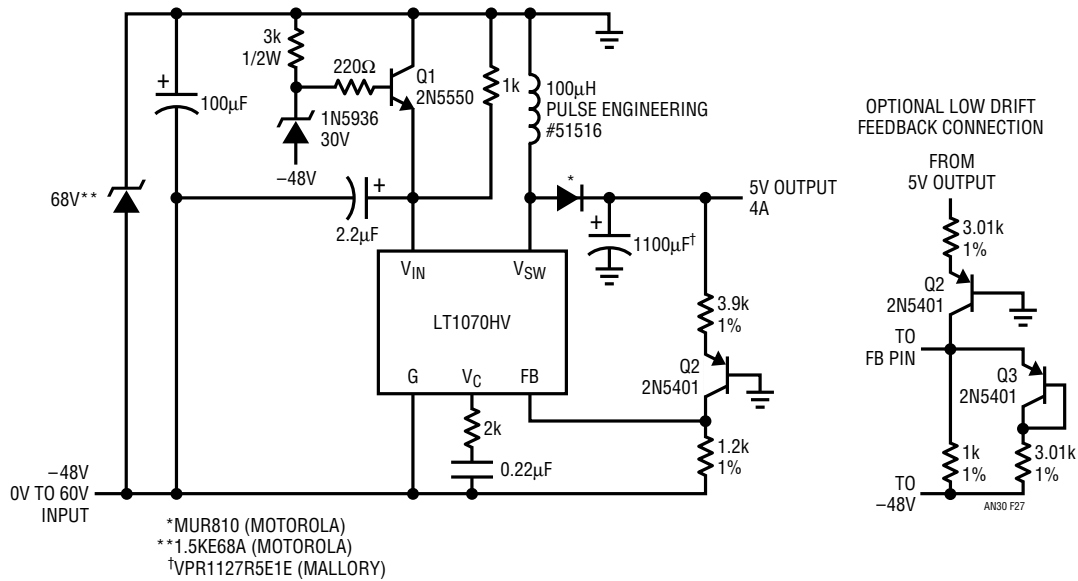


Figure 27. Nonisolated Regulator (-48V to 5V)

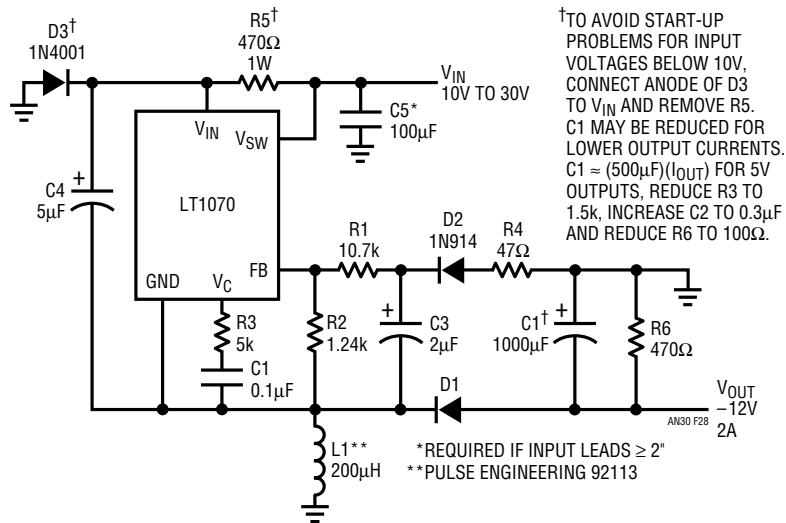


Figure 28. Positive to Negative Buck-Boost Converter (10V-30V to -12V)

# Application Note 30

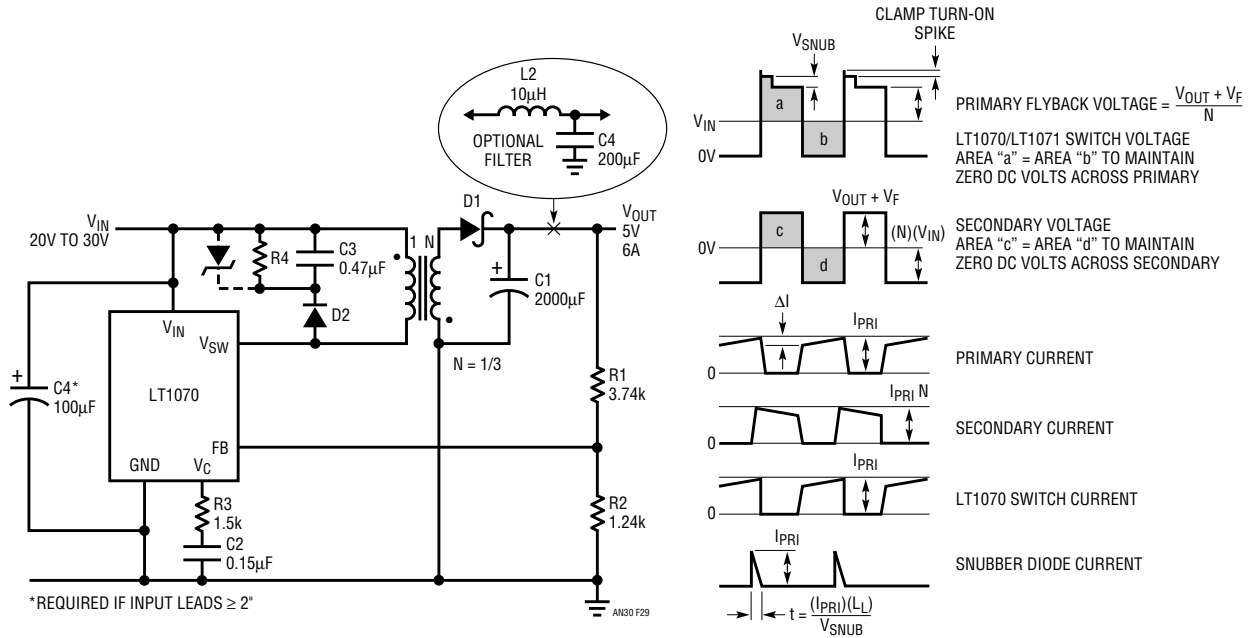


Figure 29. Flyback Converter (20V-30V to 5V)

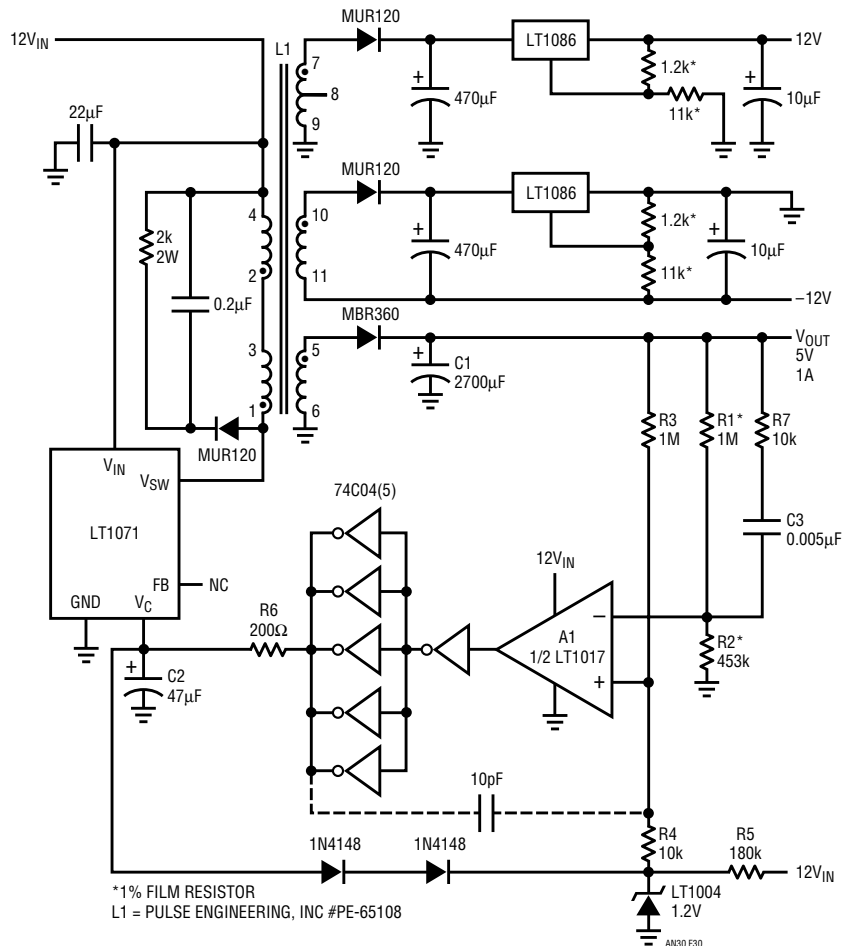


Figure 30. Transformer Coupled Low Quiescent Current Converter (12V to 5V,  $\pm 12\text{V}$ )

an30fa

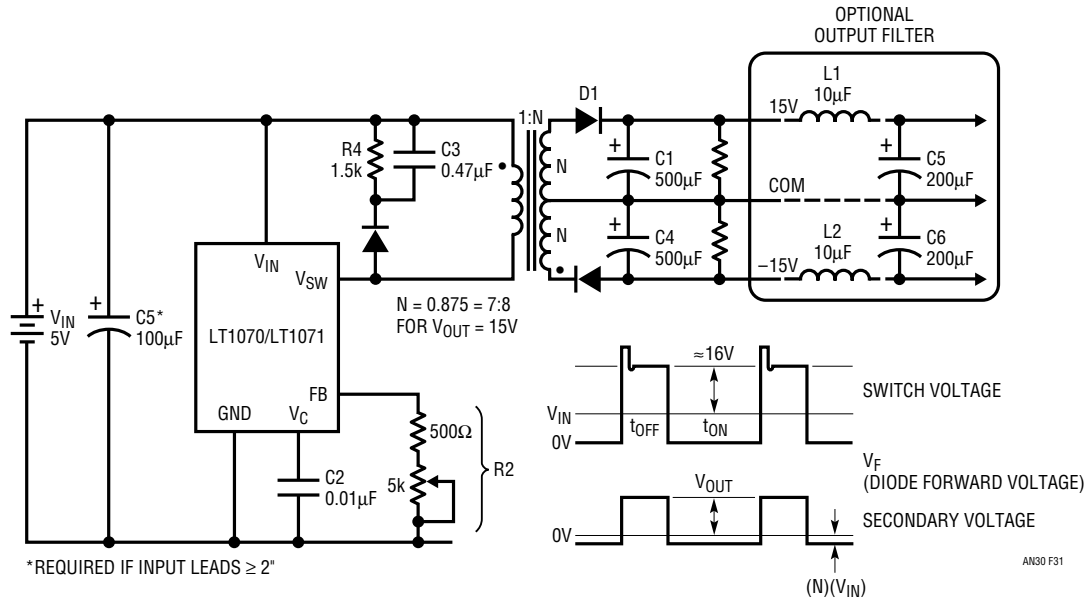


Figure 31. Totally Isolated Converter (5V to  $\pm 15V$ )

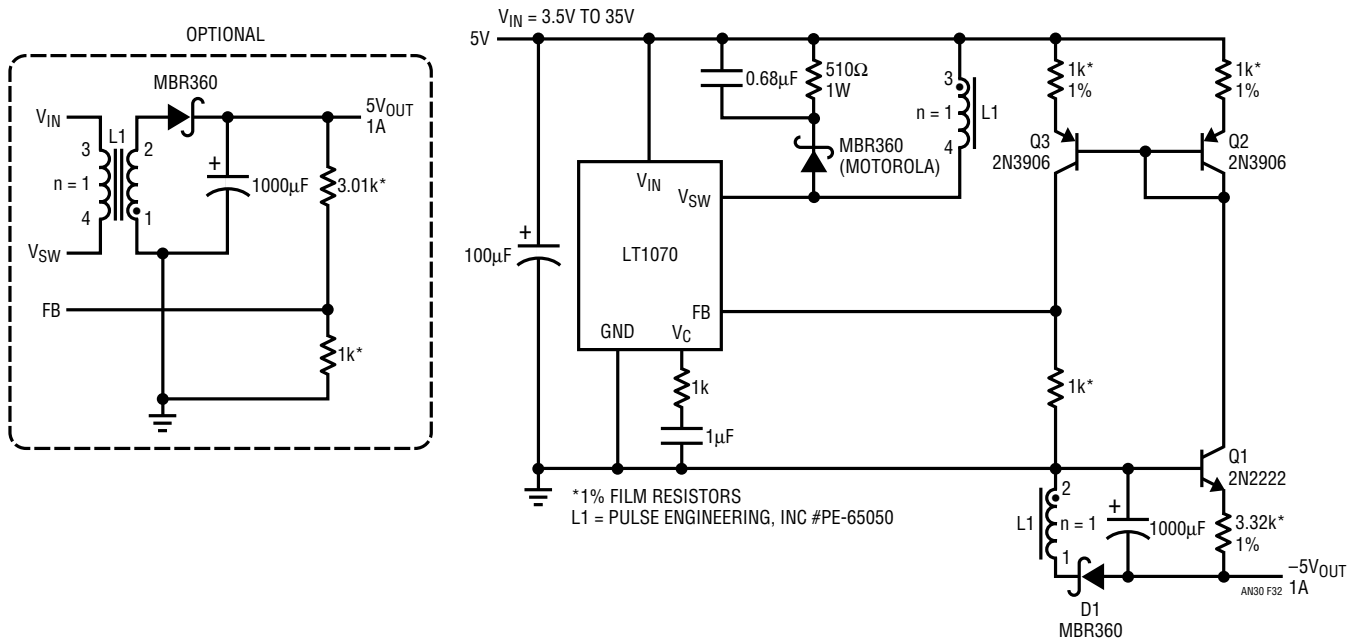


Figure 32. Input Positive Output Negative Flyback Converter (3.5V-35V to -5V)

# Application Note 30

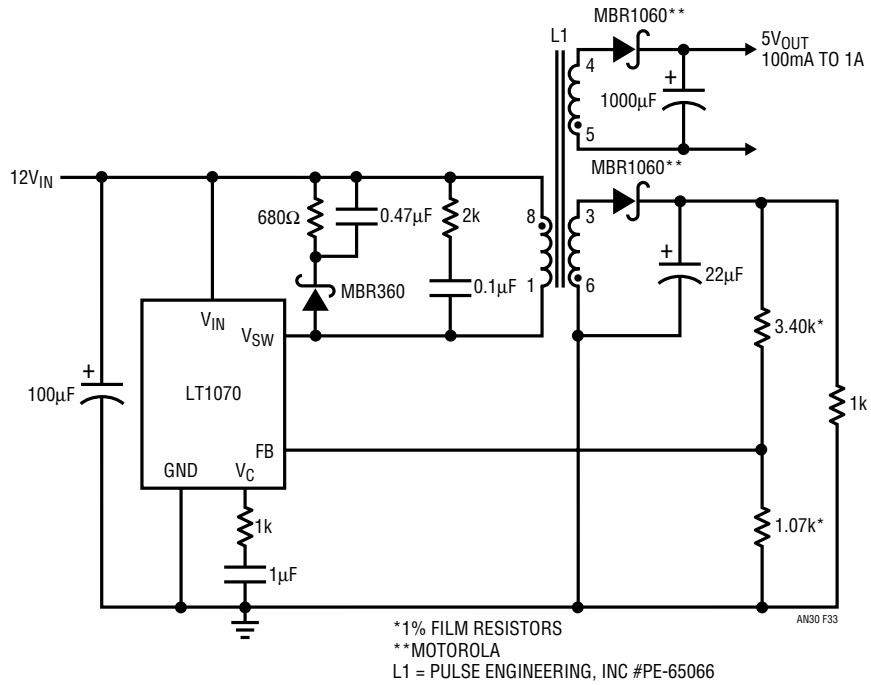


Figure 33. High Efficiency Flux Sensed Isolated Converter (12V to 5V)

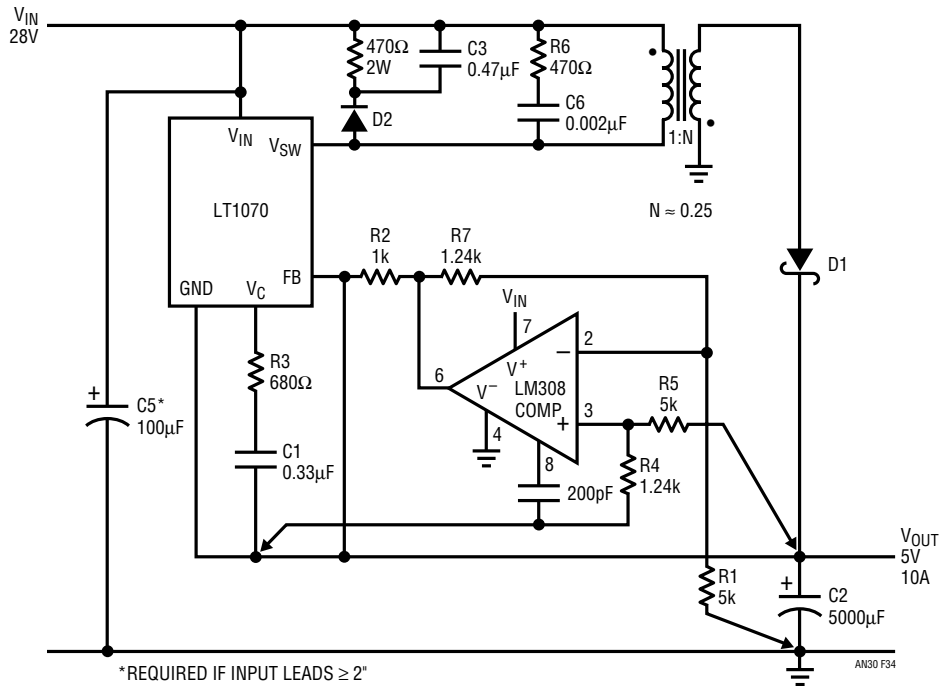


Figure 34. Positive Current Boosted Buck Converter (28V to 5V)

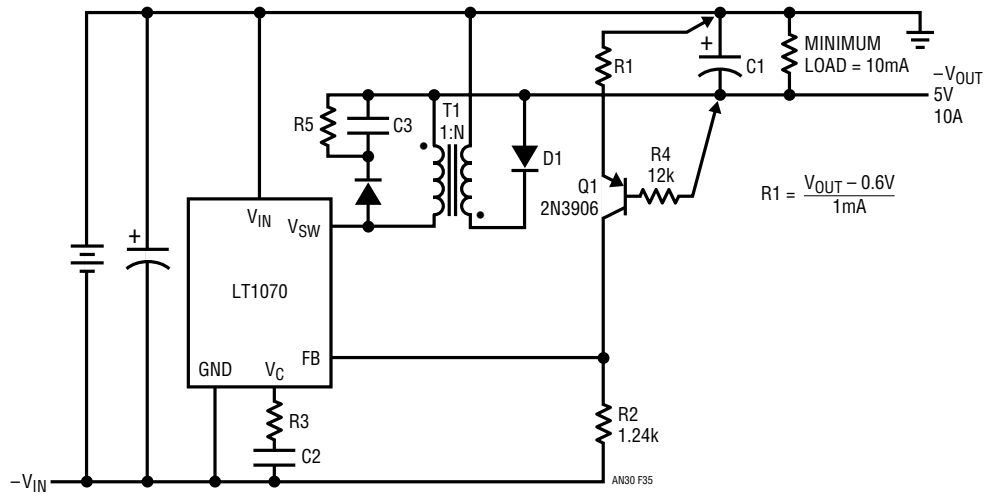


Figure 35. Negative Current Boosted Buck Converter

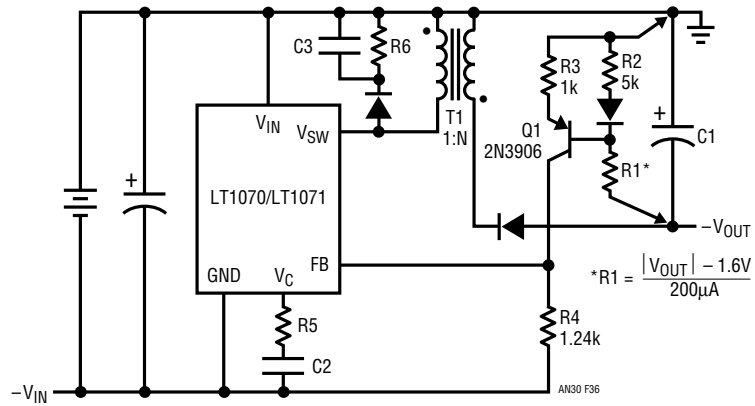


Figure 36. Negative Input-Negative Output Flyback Converter

# Application Note 30

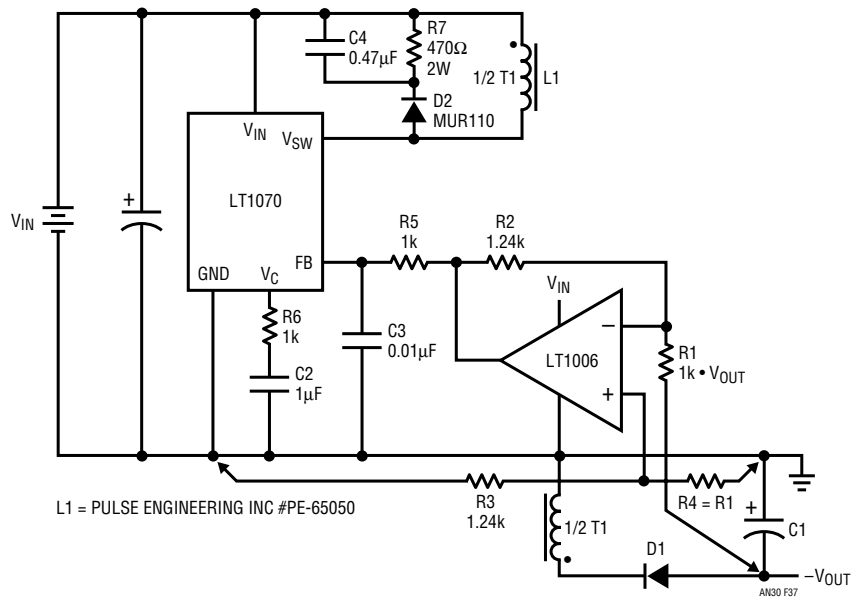


Figure 37. Positive Input-Negative Output Flyback Converter

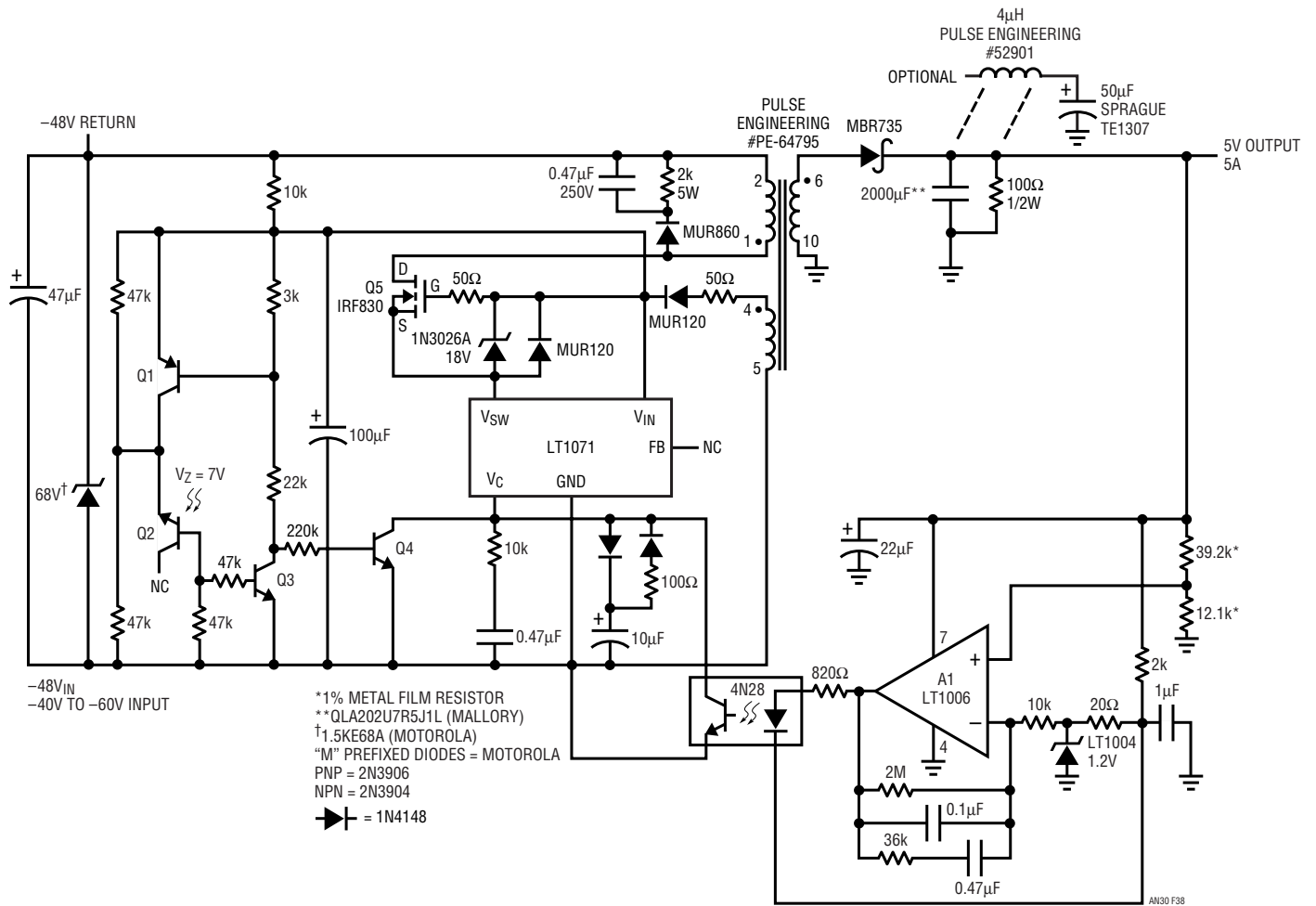


Figure 38. Fully Isolated Regulator (-48V to 5V)

an30fa



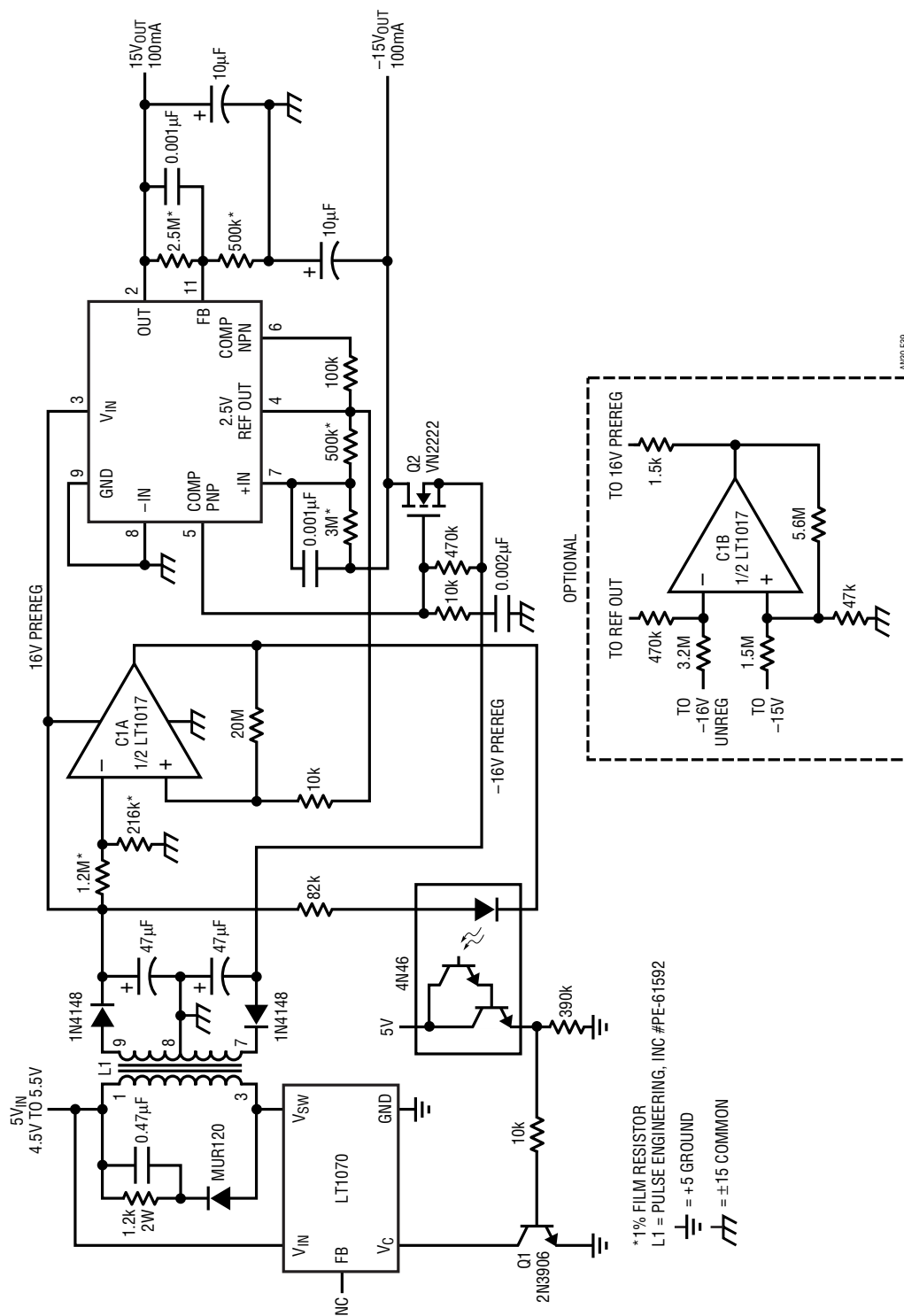


Figure 39. Low  $I_q$  Isolated Converter (5V to ±15V)

# Application Note 30

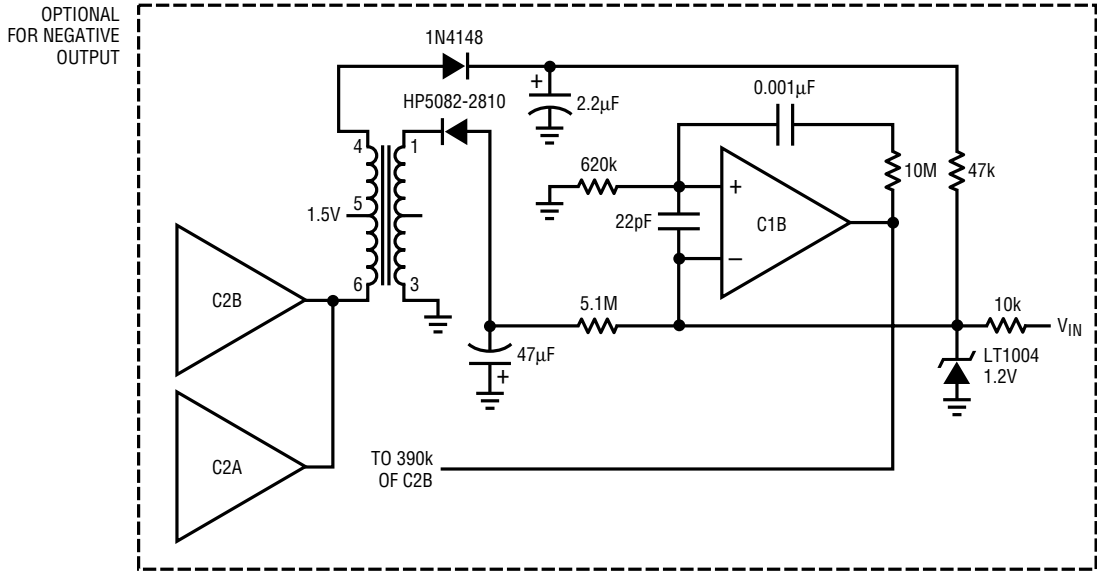
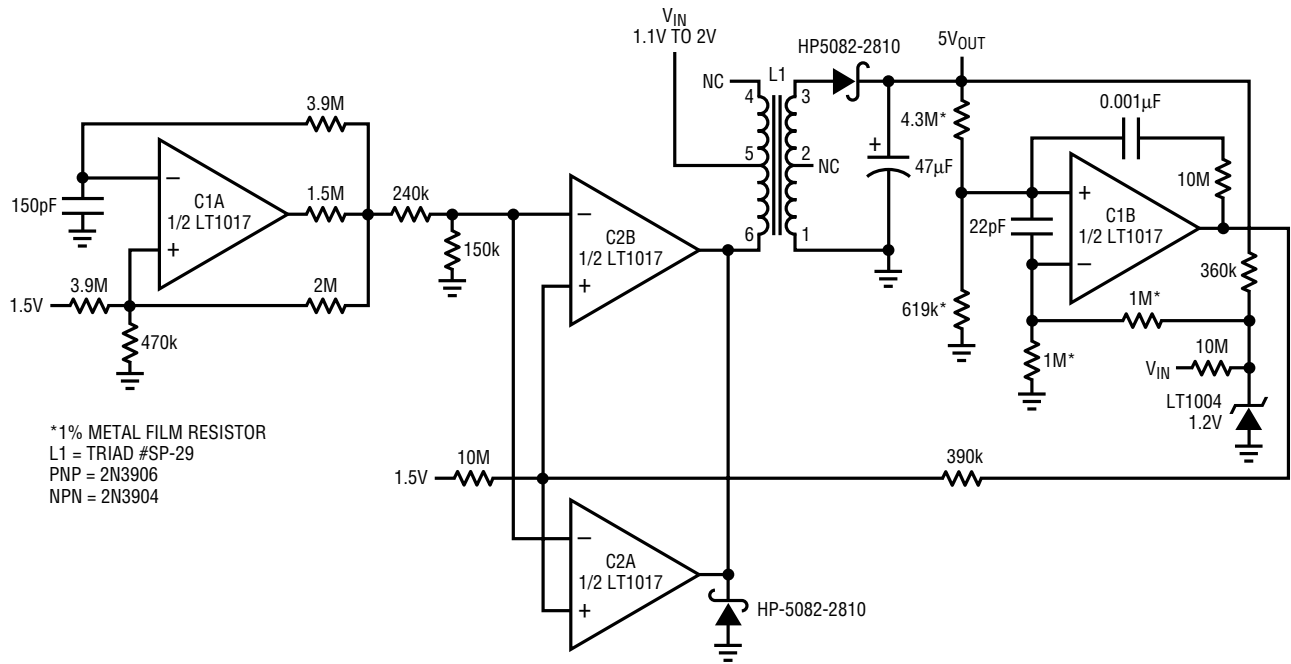


Figure 40. 800µA Output Converter (1.5V to 5V)

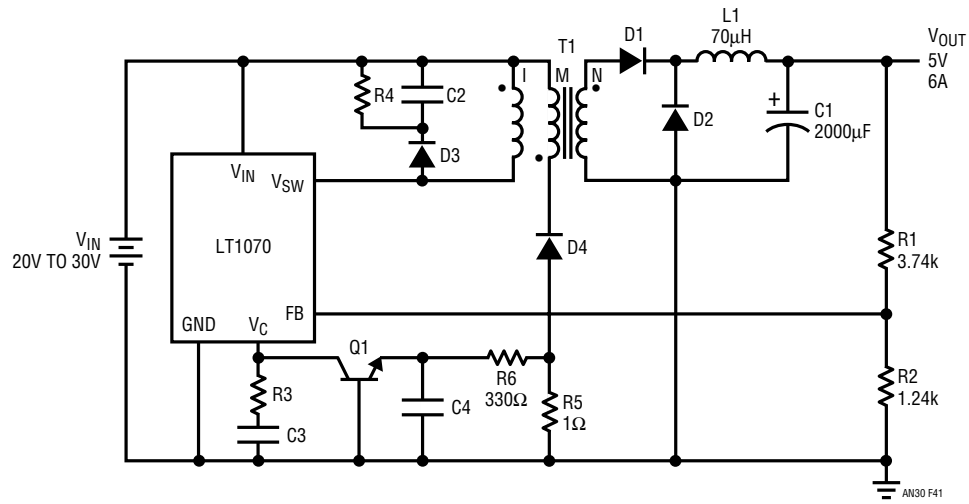


Figure 41. Forward Converter (20V-30V to 5V)

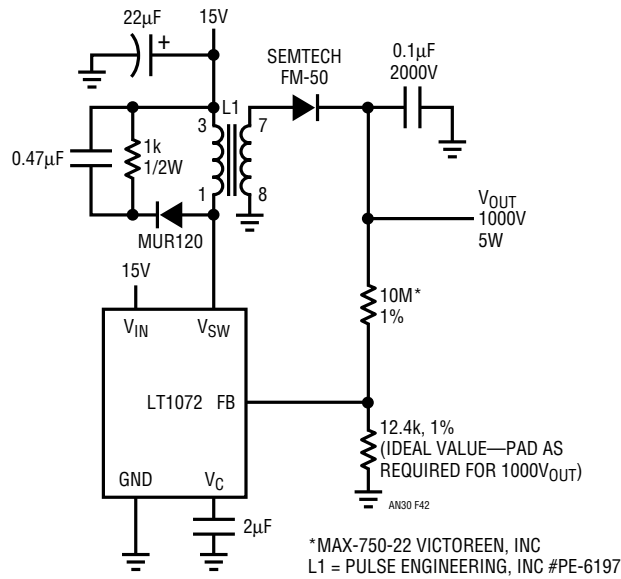


Figure 42. Nonisolated Converter (15V to 1000V)

# Application Note 30

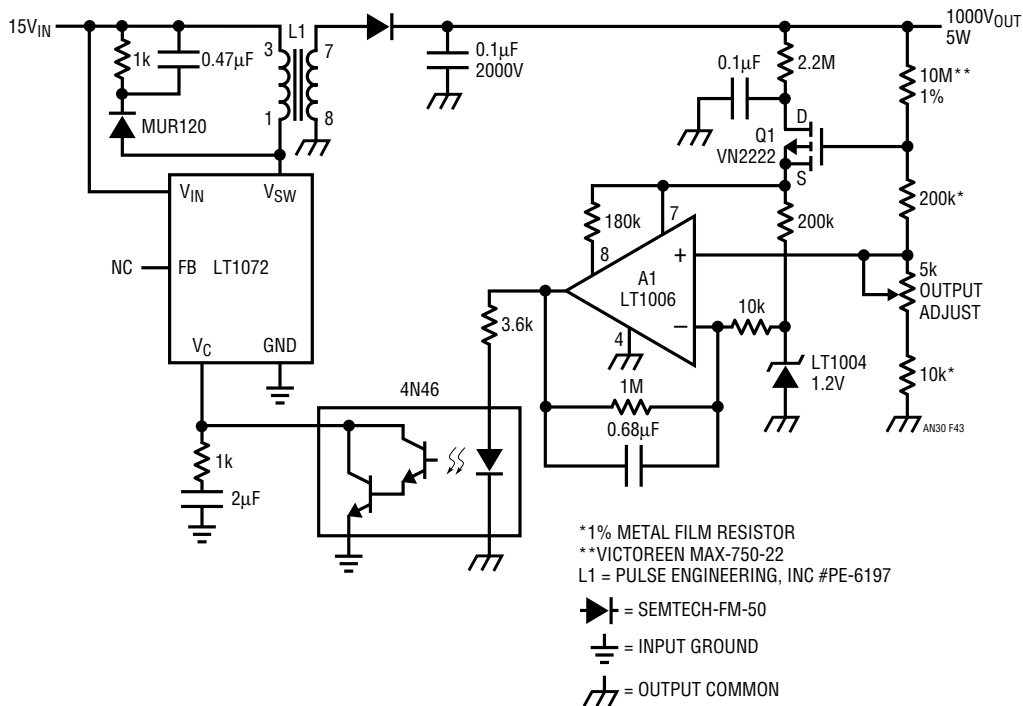


Figure 43. Isolated Output Converter (15V to 1000V)

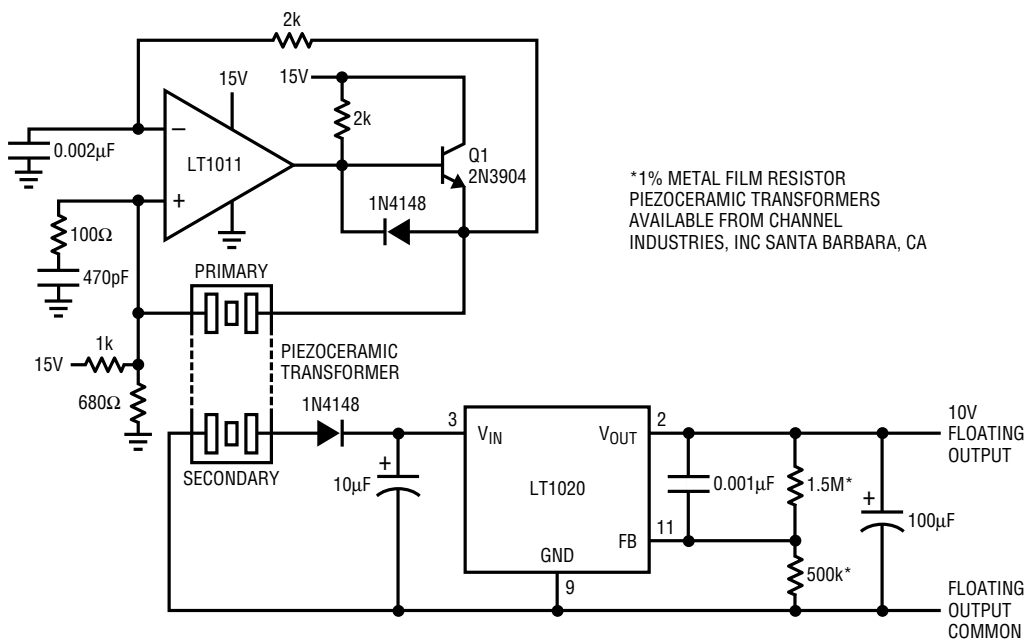


Figure 44. Converter with 20,000V Isolation (15V to 10V)

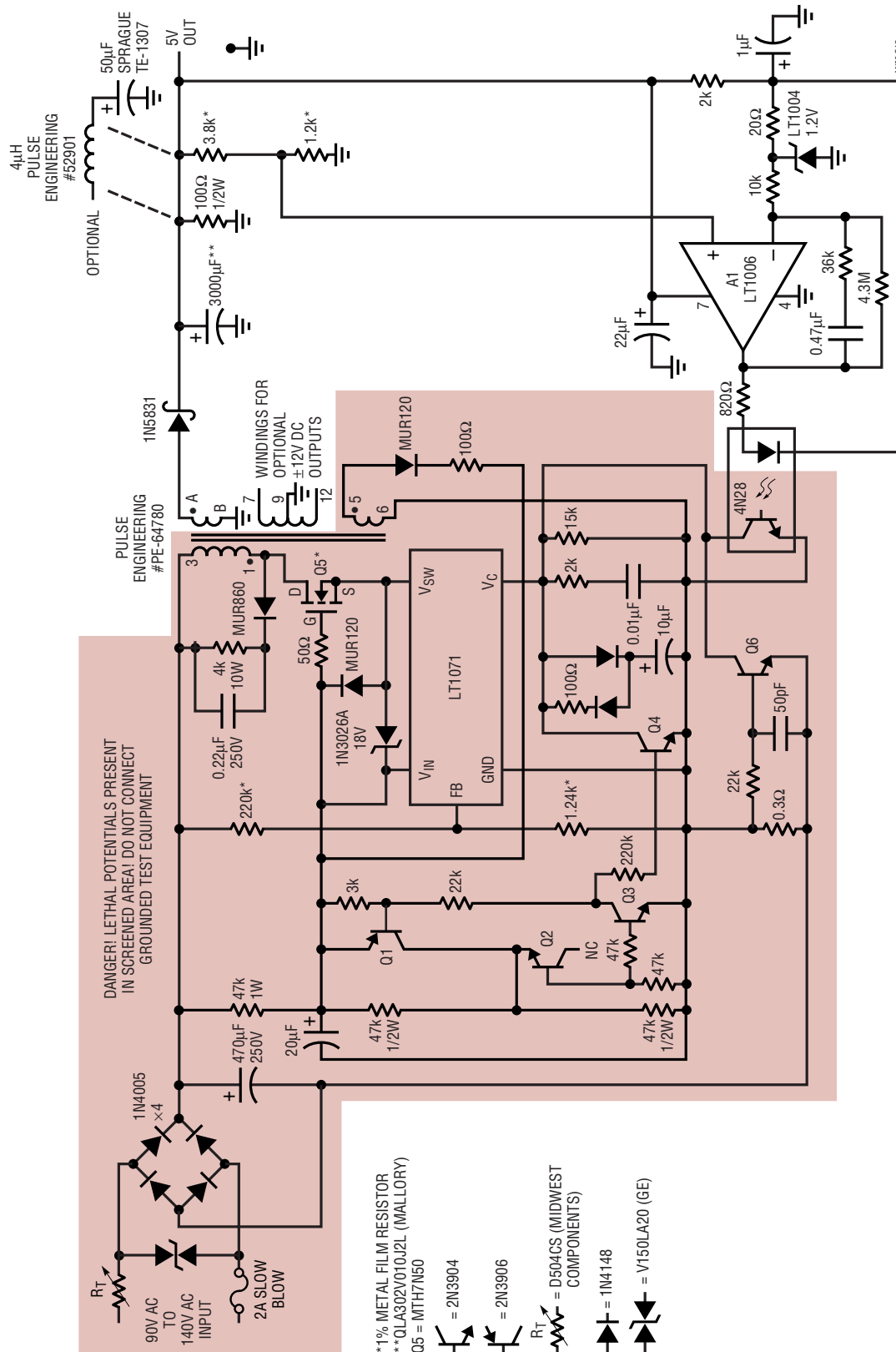


Figure 45. 100W Off Line Switching Regulator **DANGER! Lethal Potentials Present**

# Application Note 30

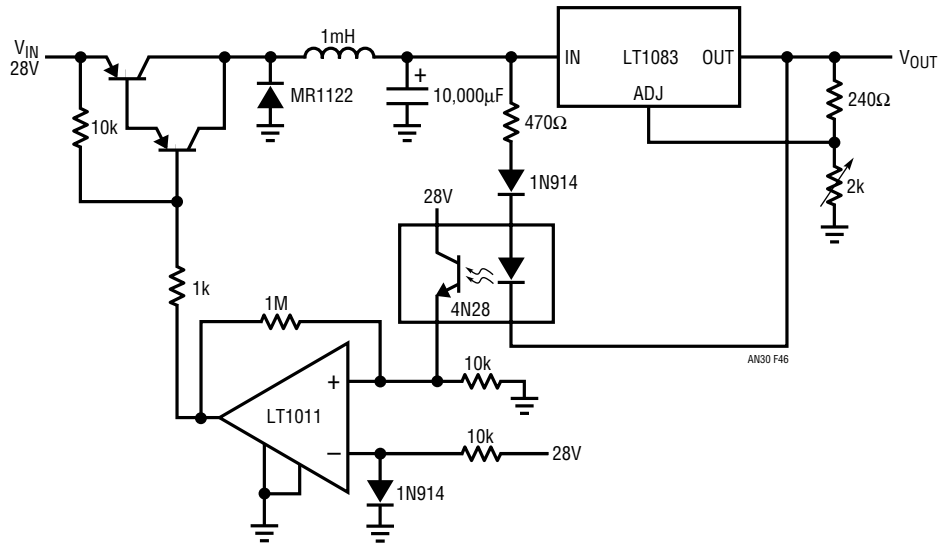


Figure 46. High Power Linear Regulator with Switching Preregator

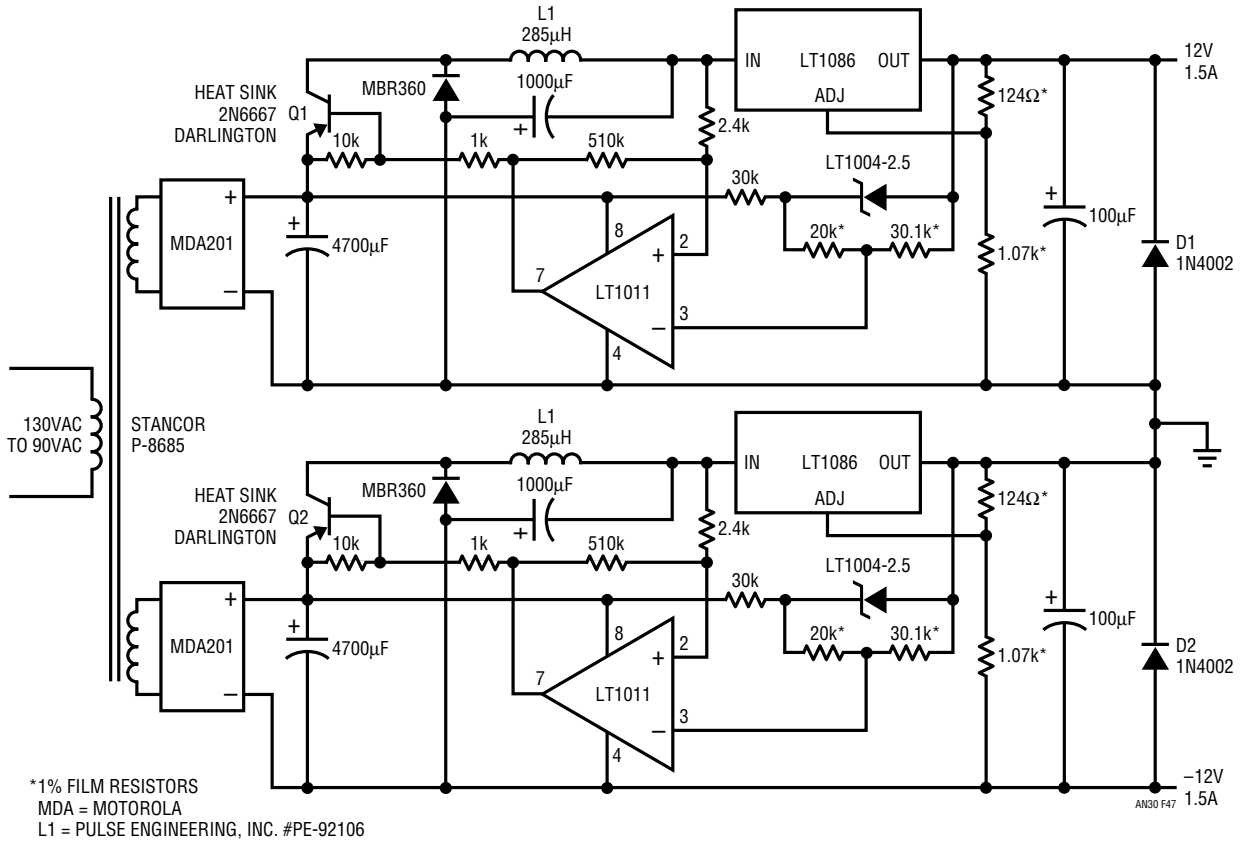
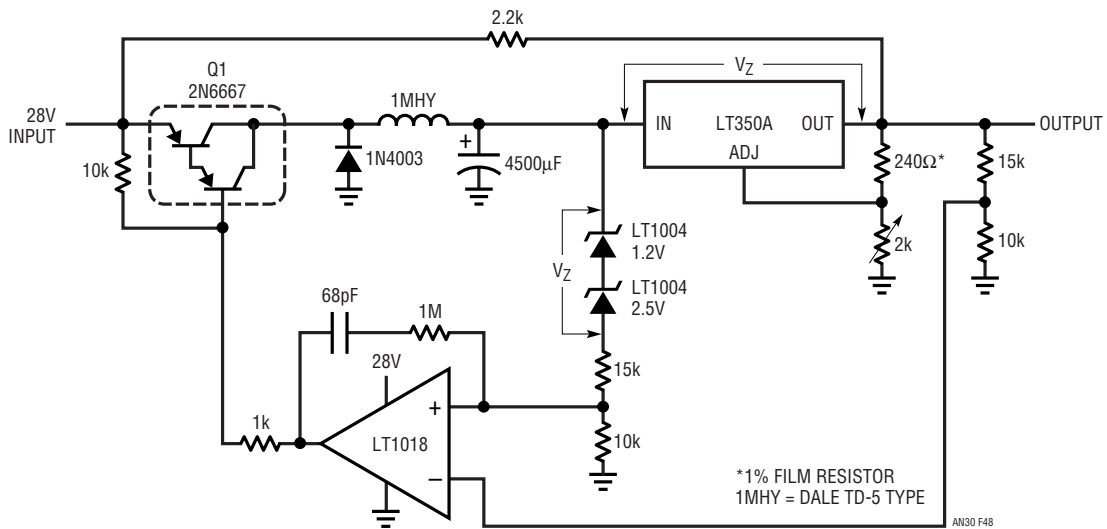
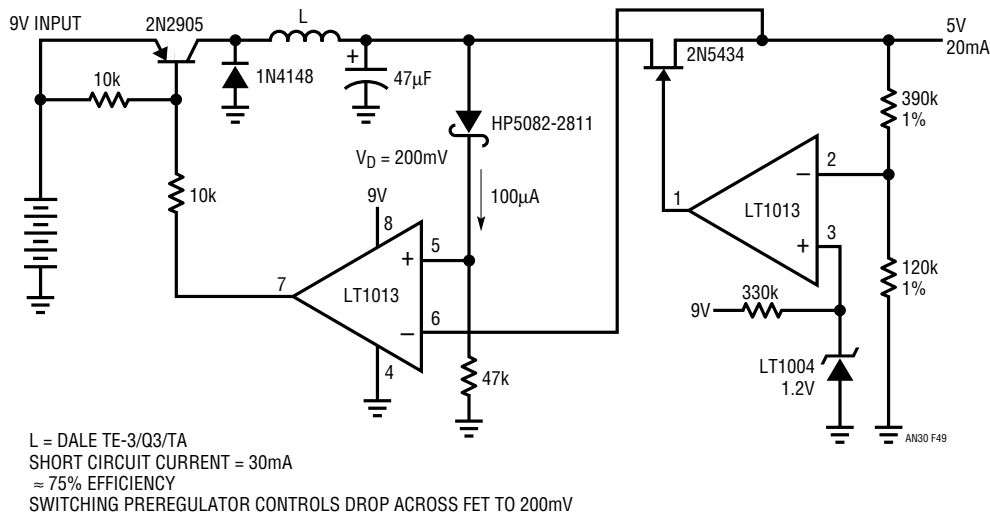


Figure 47. Dual Preregulated Supply (90V AC-130V AC to ±12V)

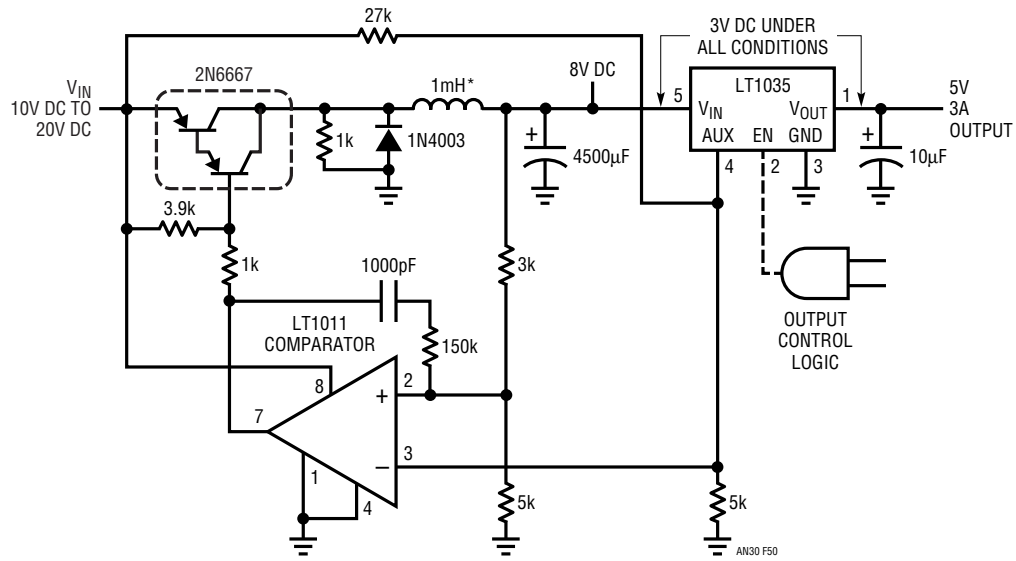


**Figure 48. Linear Regulator with Switching Preregulator**



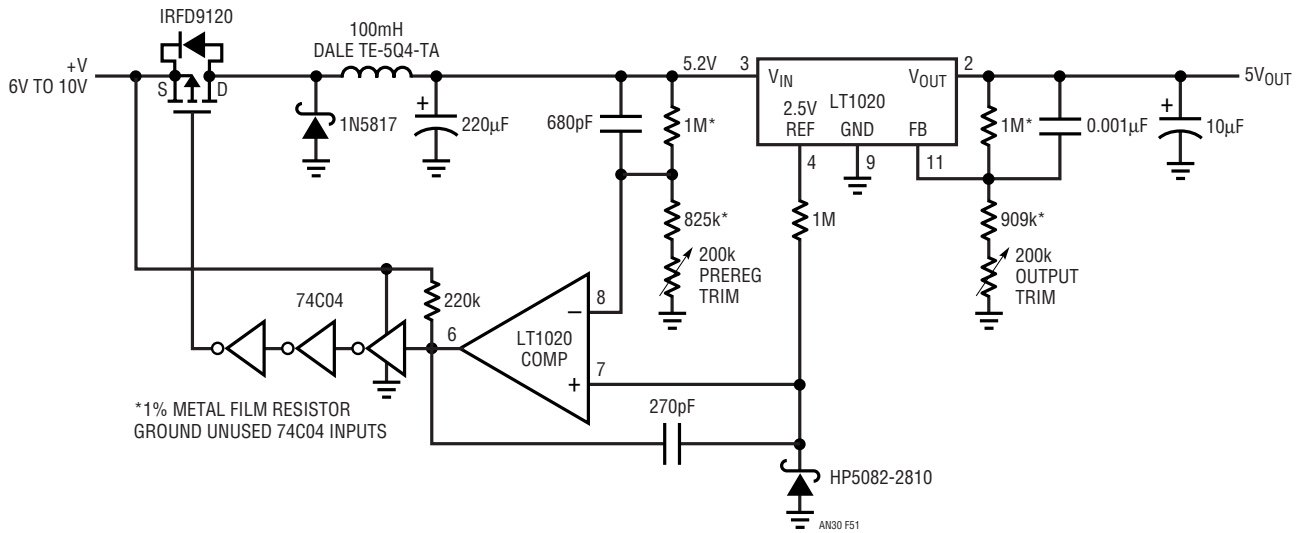
**Figure 49. Switching Preregulated Linear Regulator (9V to 5V)**

# Application Note 30



\*DALE TD-5  
THIS CIRCUIT IS DESIGNED TO REDUCE POWER DISSIPATION  
IN THE LT1035 OVER A 90V AC TO 140V AC INPUT RANGE

**Figure 50. Low Dissipation Regulator (10V-20V to 5V)**



**Figure 51. Micropower Post Regulated Switching Regulator (6V-10V to 5V)**



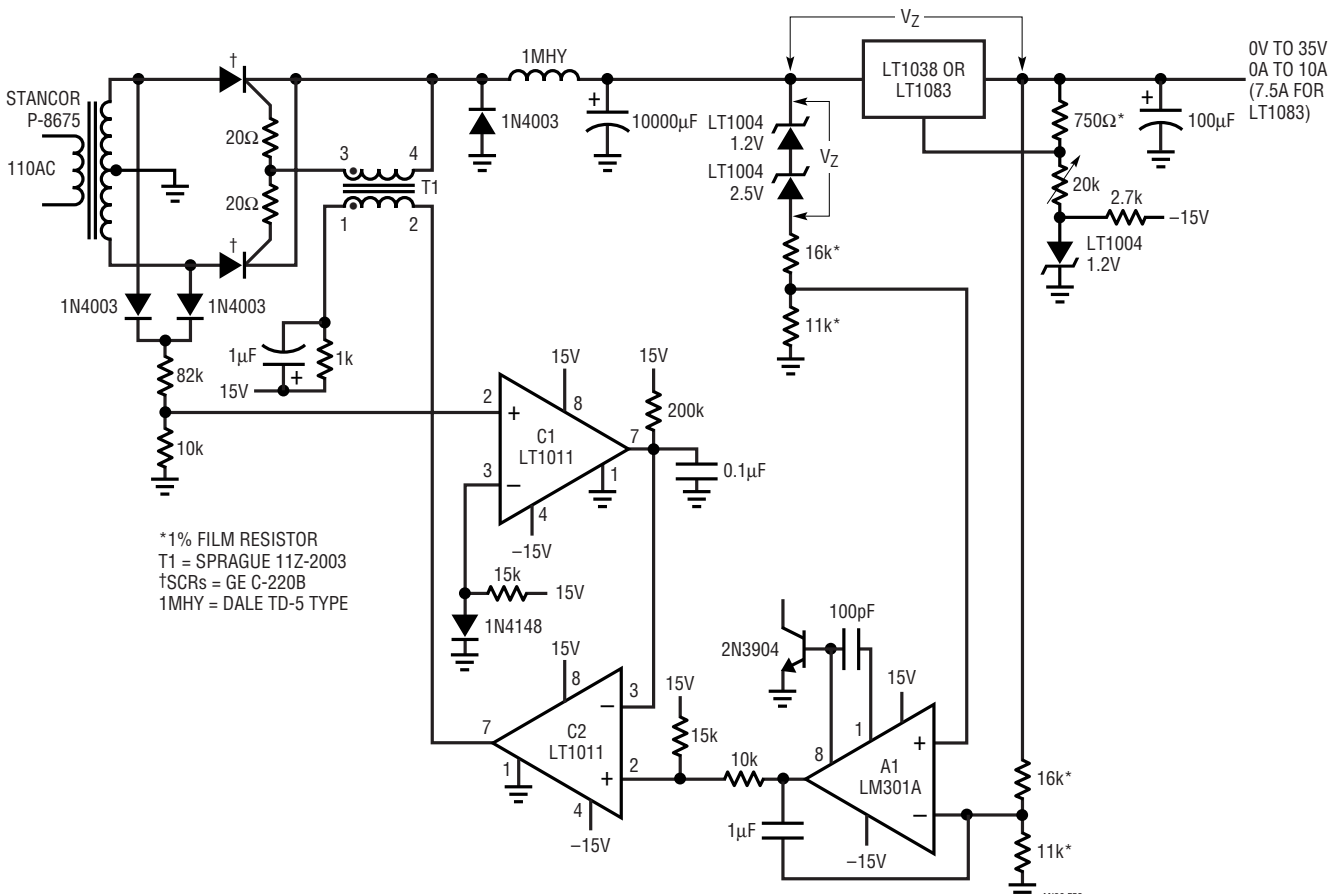


Figure 52. High Current Low Dissipation Preregated Linear Regulator

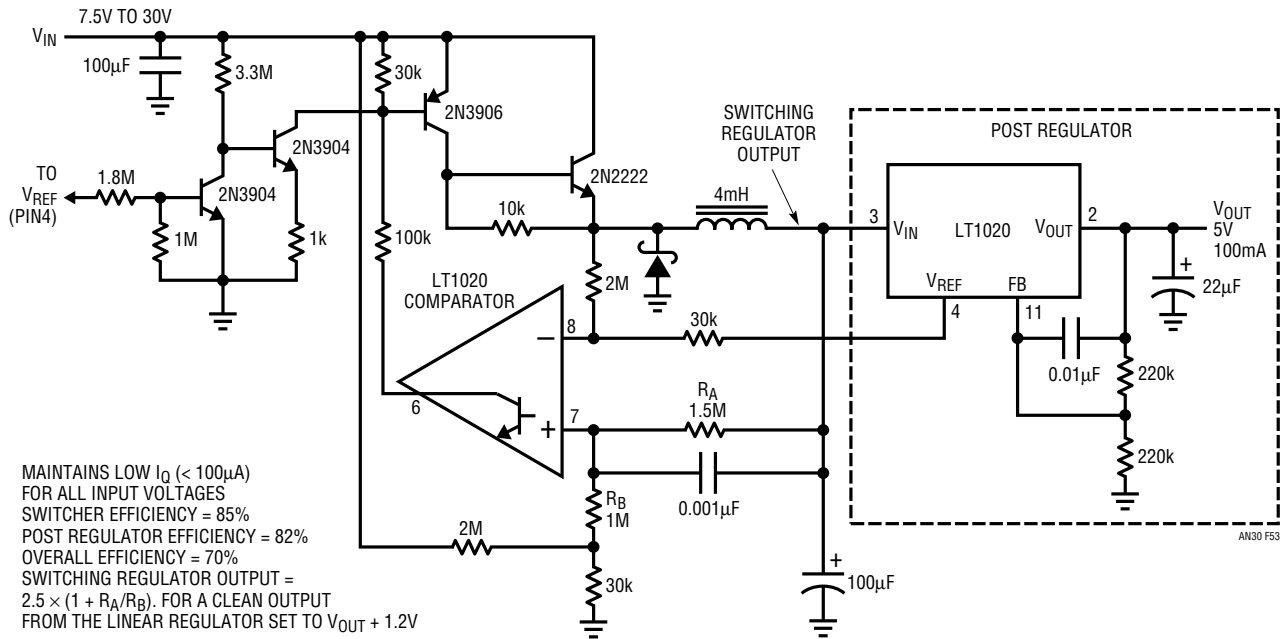


Figure 53. Switching Preregulator for Wide Input Voltage Range (7.5V-30V to 5V)

an30fa

# Application Note 30

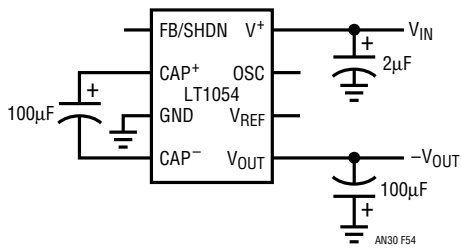


Figure 54. Basic Voltage Inverter

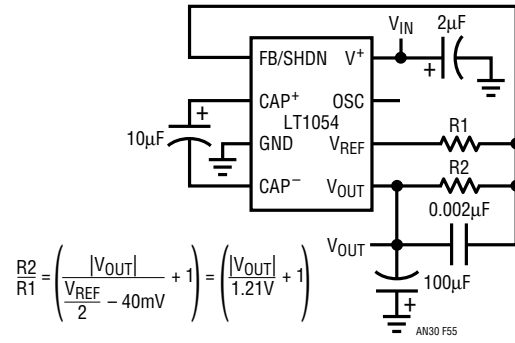
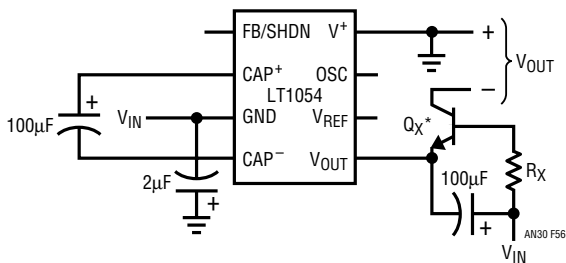
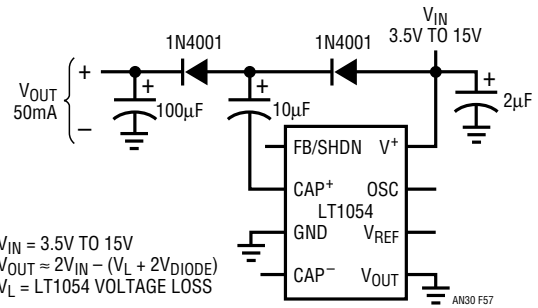


Figure 55. Basic Voltage Inverter/Regulator



$V_{IN} = -3.5V \text{ TO } -15V$   
 $V_{OUT} = 2V_{IN} + (\text{LT1054 VOLTAGE LOSS}) + (Q_X \text{ SATURATION VOLTAGE})$

Figure 56. Negative Voltage Doubler



$V_{IN} = 3.5V \text{ TO } 15V$   
 $V_{OUT} \approx 2V_{IN} - (V_L + 2V_{DIODE})$   
 $V_L = \text{LT1054 VOLTAGE LOSS}$

Figure 57. Positive Doubler

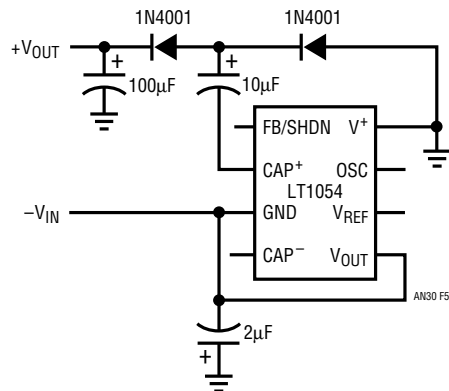
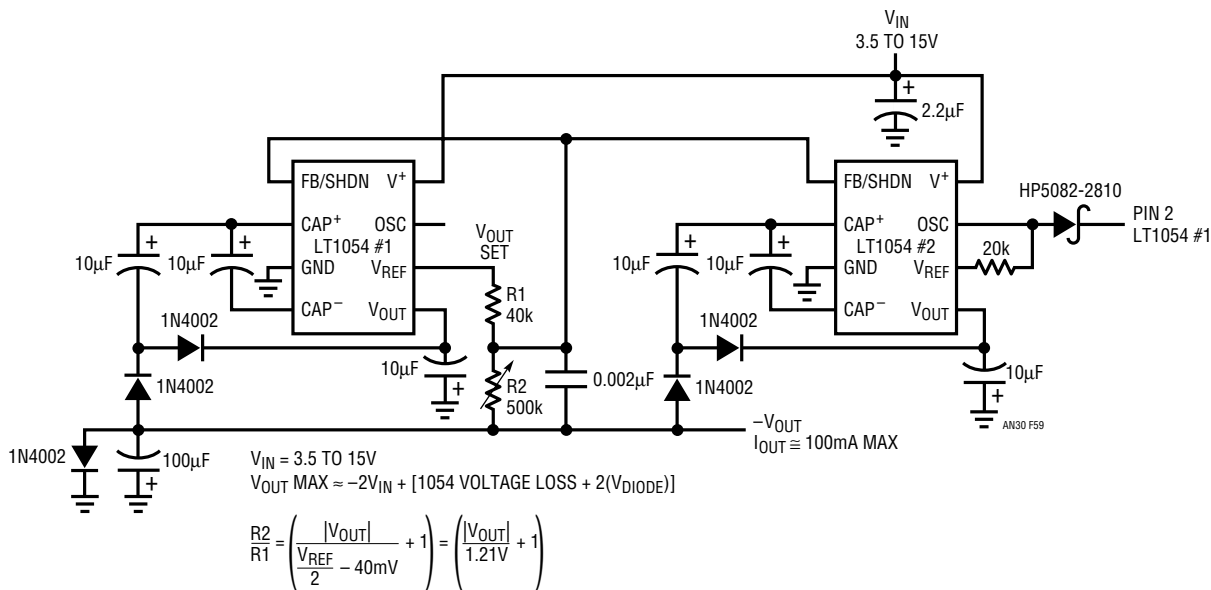
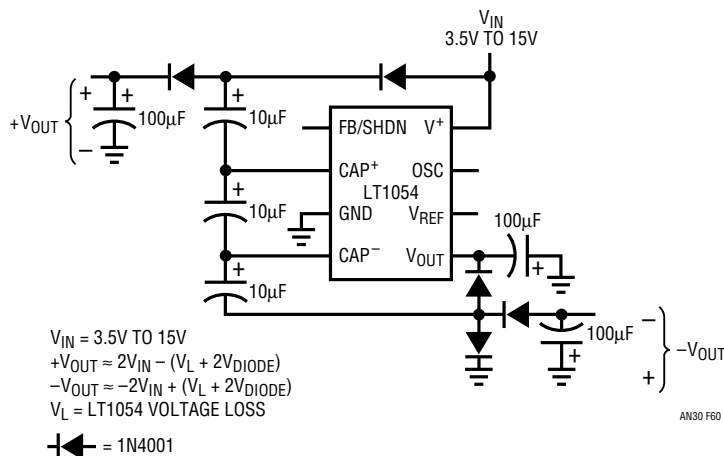


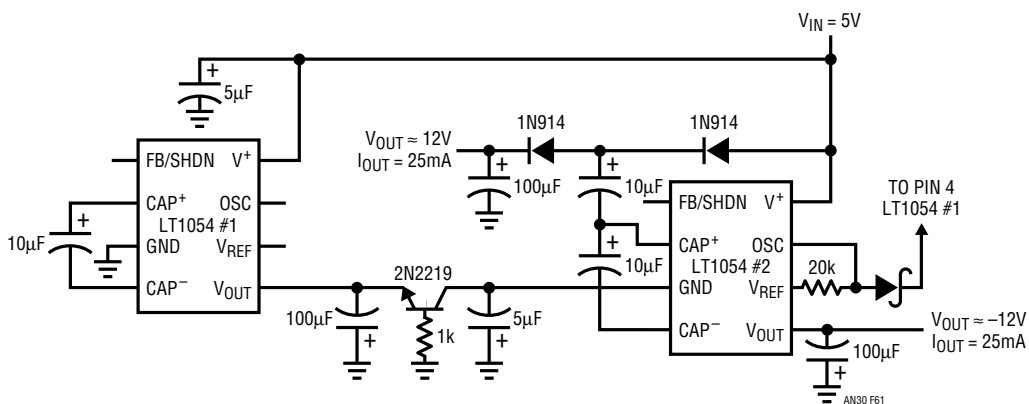
Figure 58. Switched Capacitor  $-V_{IN}$  to  $+V_{OUT}$  Converter



**Figure 59. 100mA Regulating Negative Doubler**



**Figure 60. Dual Output Voltage Doubler**



**Figure 61. Switched Capacitor Converter (5V to ±12V)**

an30fa

# Application Note 30

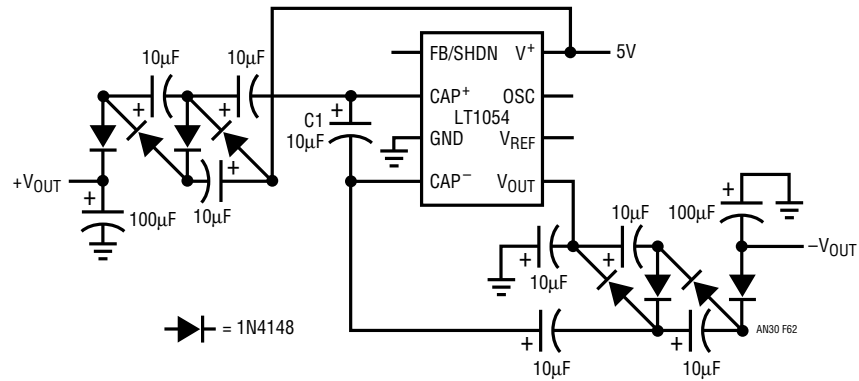


Figure 62. Switched Capacitor Charge Pump-Based Voltage Multiplier (5V to ±12V)

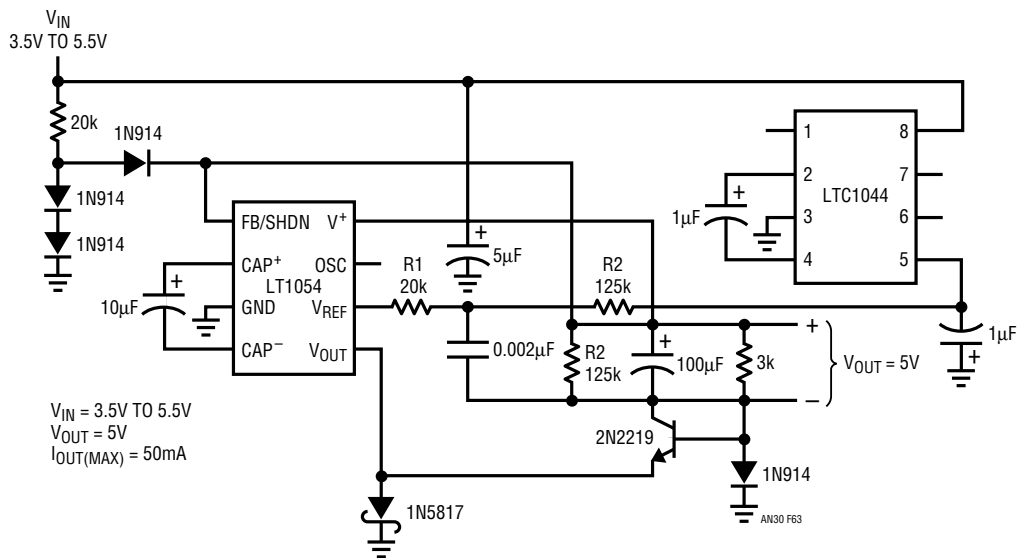


Figure 63. Regulator (3.5V to 5V)

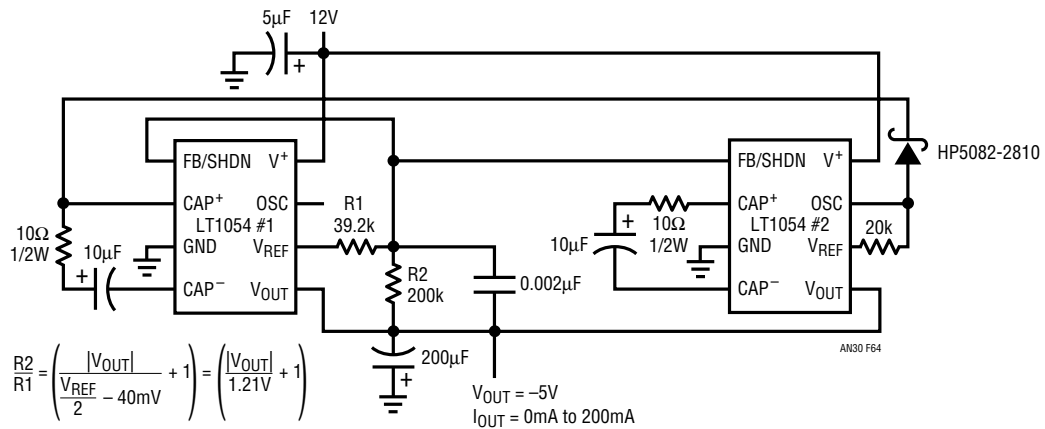


Figure 64. Regulating 200mA Converter (12V to -5V)

an30fa

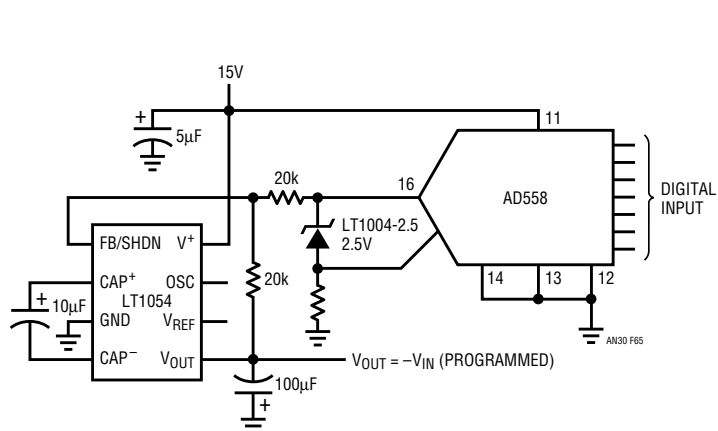


Figure 65. Digitally Programmable Negative Supply

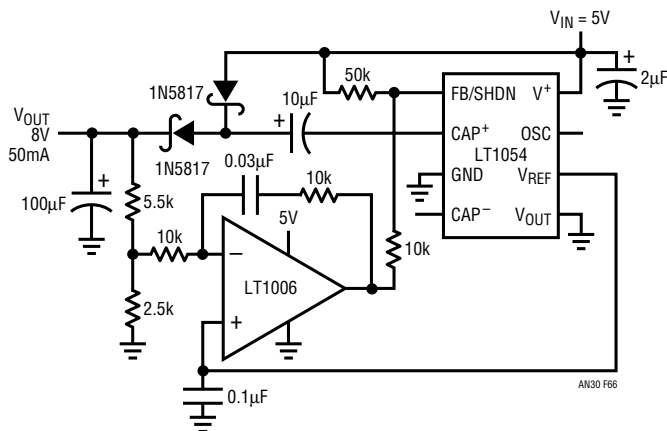


Figure 66. Positive Doubler with Regulation (5V to 8V)

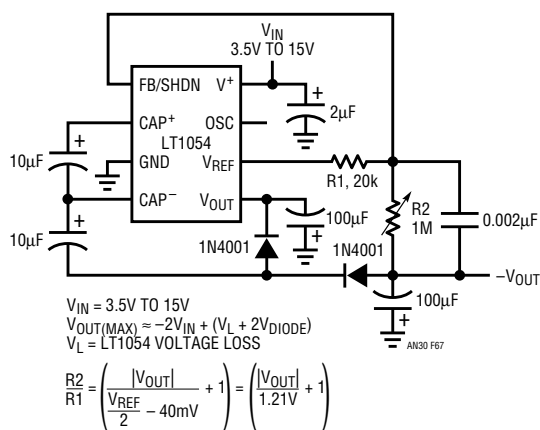


Figure 67. Negative Doubler with Regulator

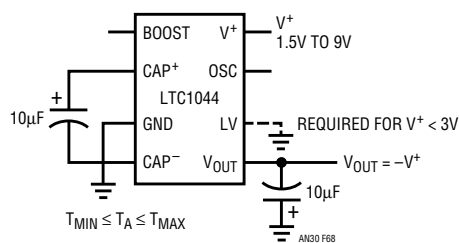


Figure 68. Negative Voltage Converter

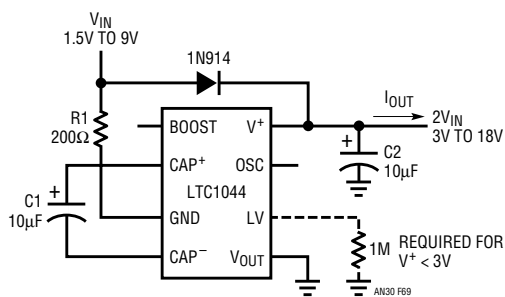


Figure 69. Voltage Doubler

# Application Note 30

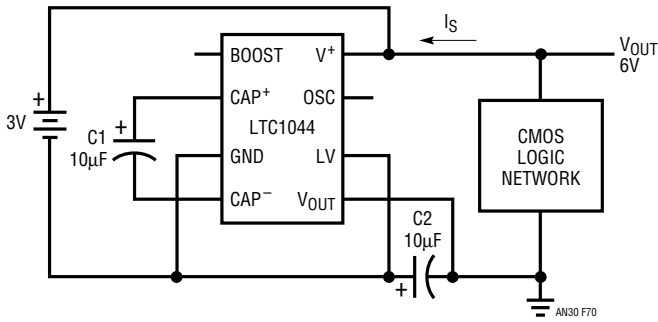


Figure 70. Voltage Doubler

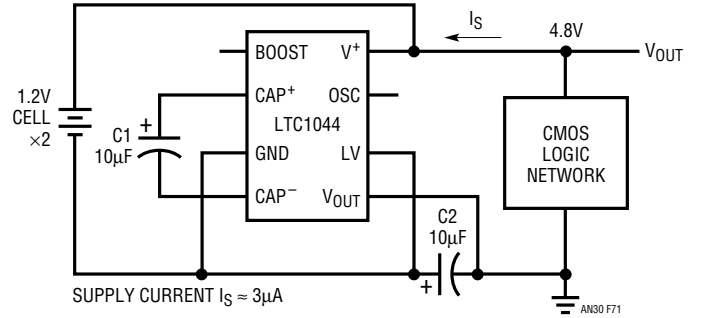


Figure 71. Generating CMOS Logic Supply from 2 Mercury Batteries (2.4V to 4.8V)

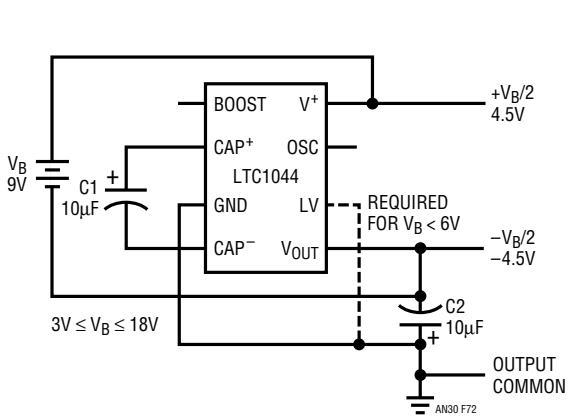


Figure 72. Battery Splitter (9V to ±4.5V)

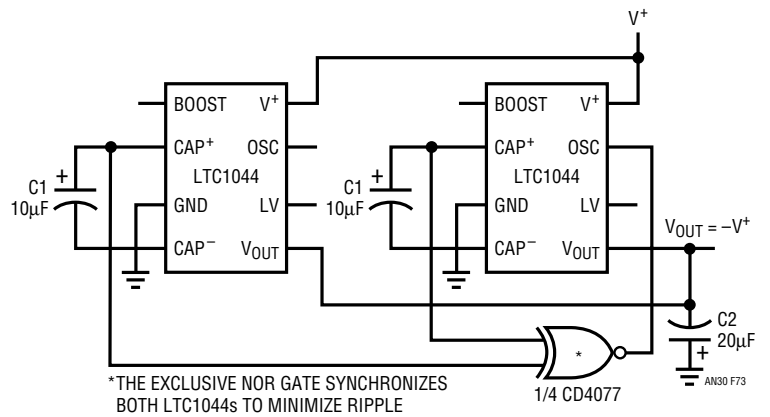


Figure 73. Paralleling for Lower Output Resistance

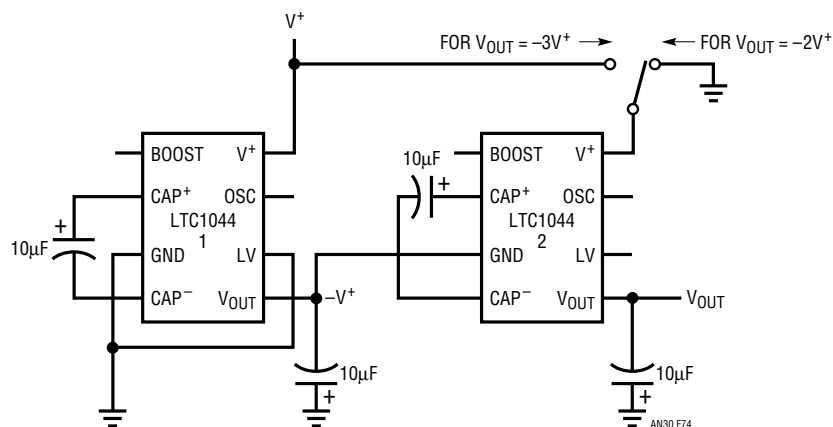
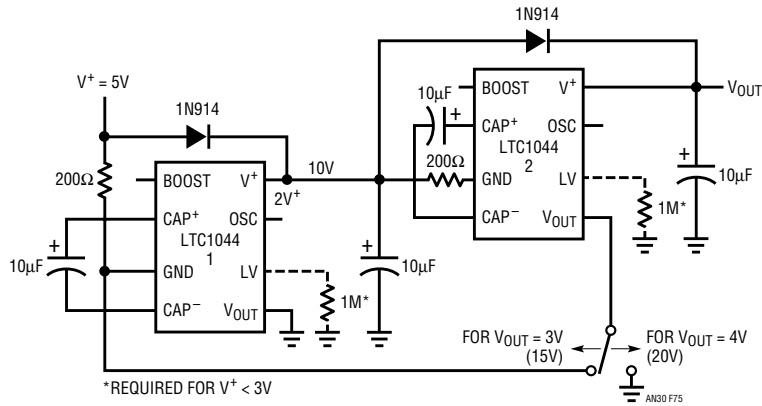
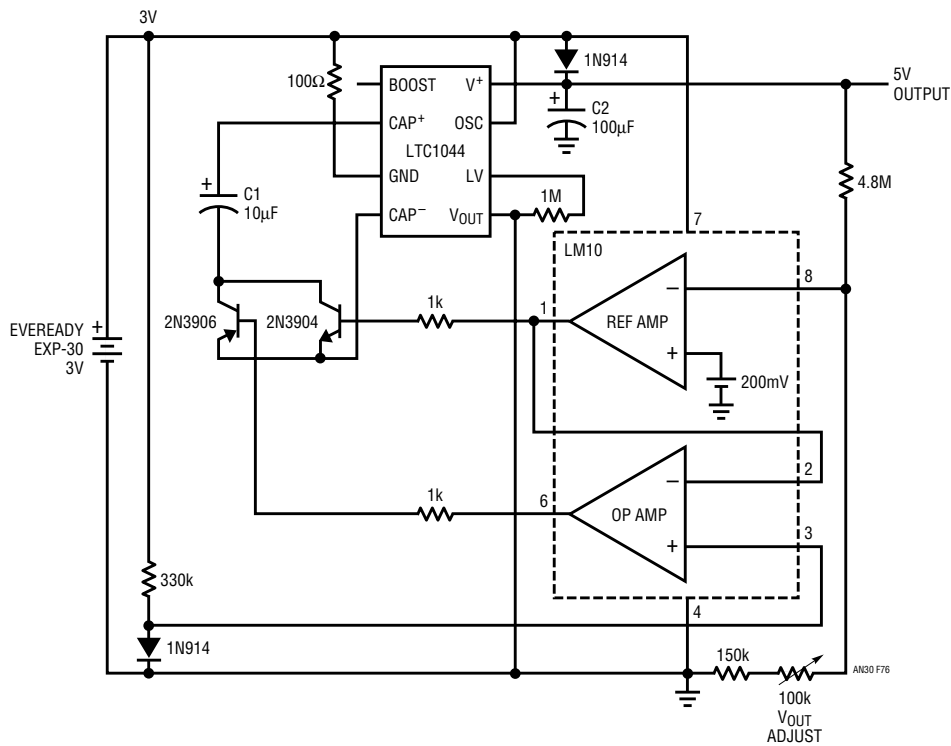


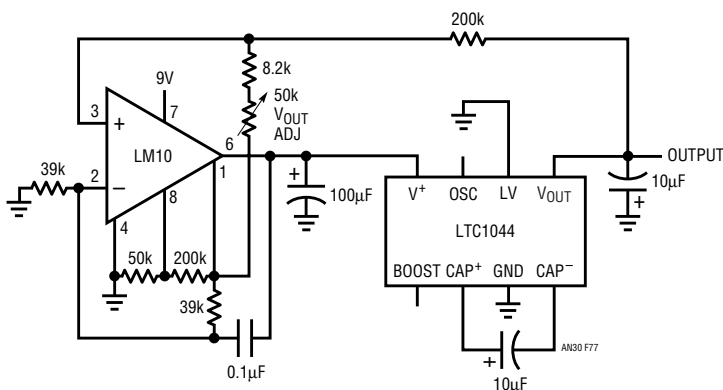
Figure 74. Stacking for Higher Voltage



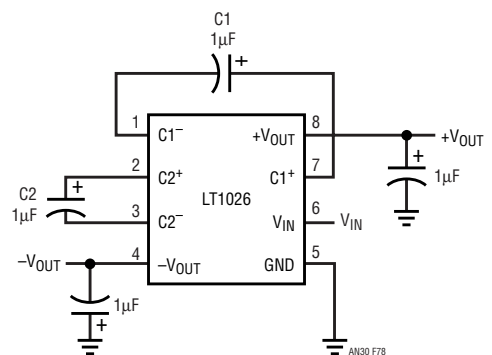
**Figure 75. Voltage Tripler/Quadrupler**



**Figure 76. Regulated Voltage Up Converter (3V to 5V)**



**Figure 77. Regulated Negative Voltage Converter**



**Figure 78. Dual Output Switched Capacitor Voltage Generator**

# Application Note 30

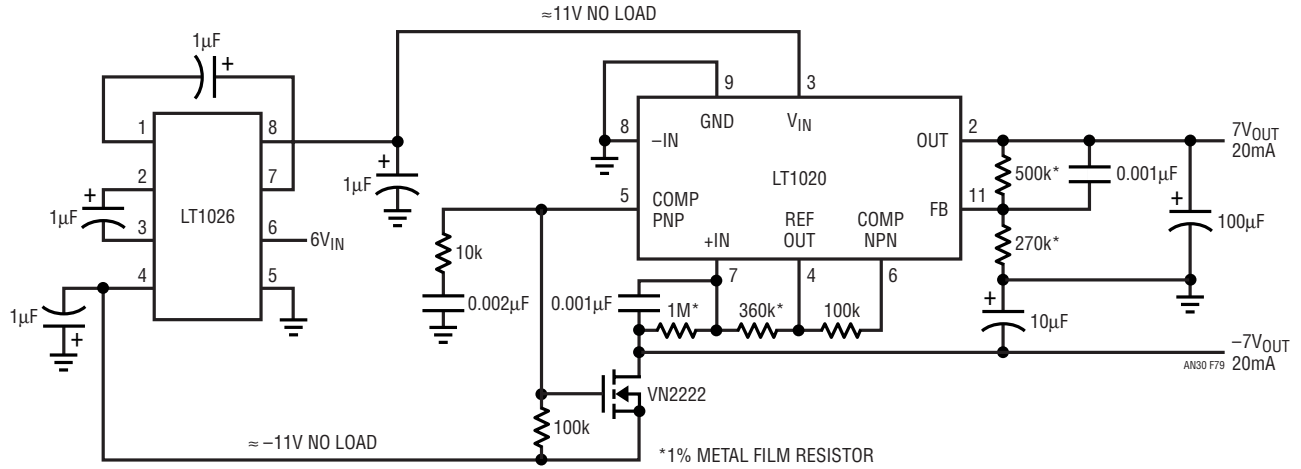


Figure 79. Switched Capacitor-Based Converter (6V to ±7V)

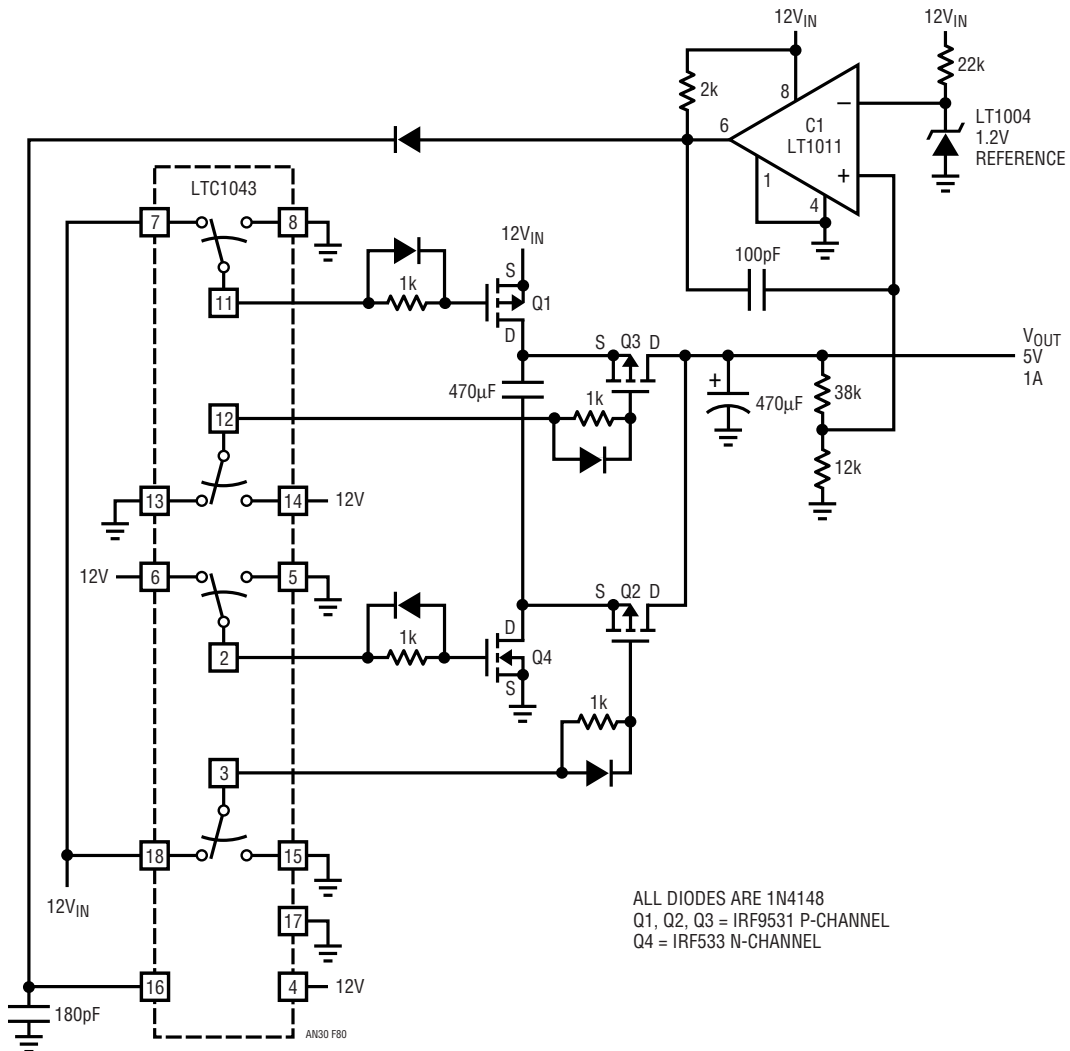


Figure 80. High Power Switched Capacitor Converter (12V to 5V)

an30fa



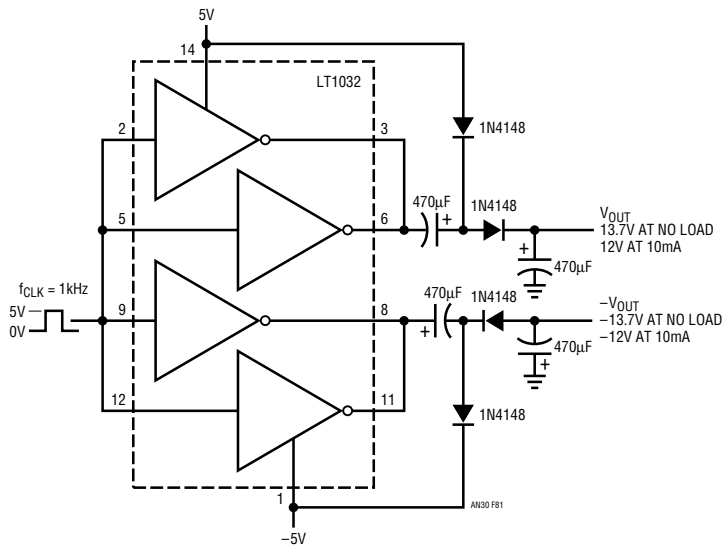


Figure 81. Voltage Multiplier ( $\pm 5V$  to  $\pm 15V$ )

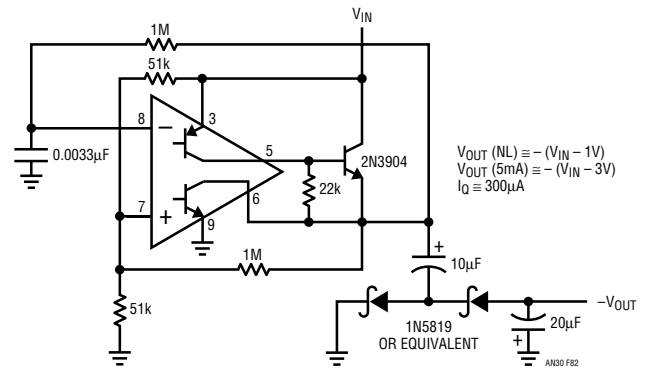


Figure 82. Charge-Pump Negative Voltage Generator

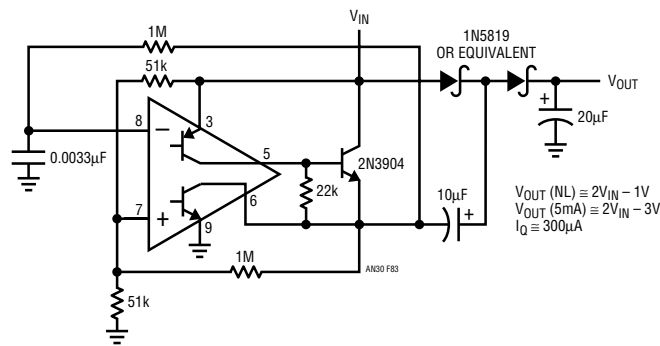


Figure 83. Charge Pump Voltage Doubler

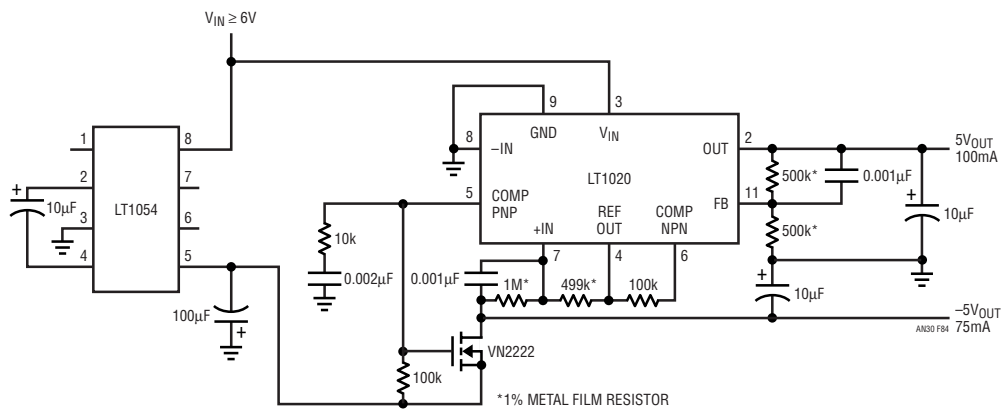


Figure 84. High Current Switched Capacitor Converter (6V to  $\pm 5V$ )

# Application Note 30

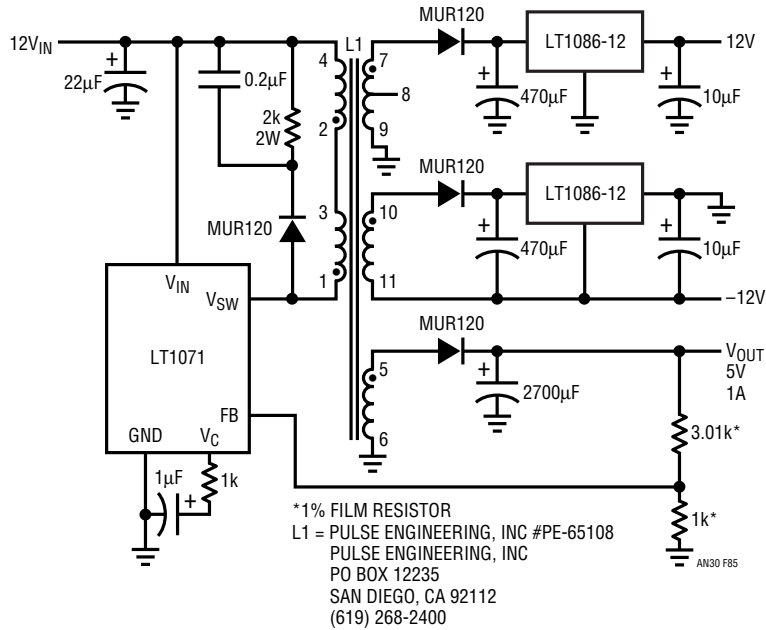


Figure 85. Multioutput Flyback Converter (12V to 5V, ±12V)

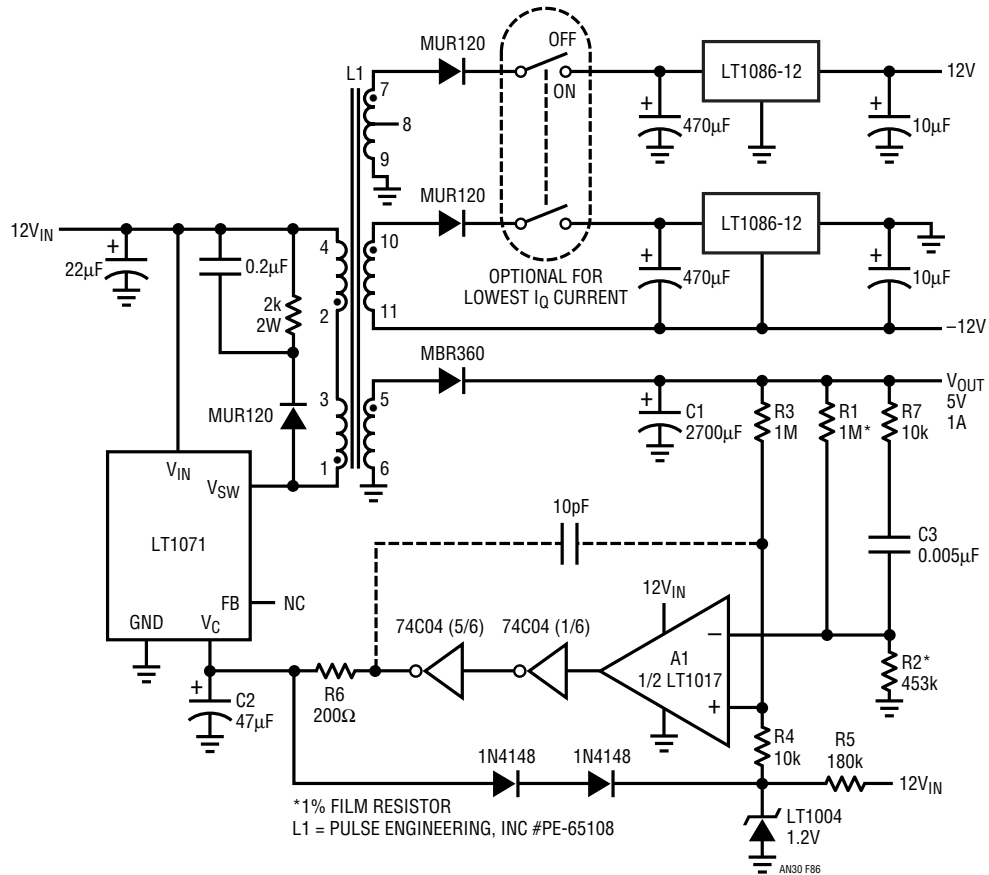


Figure 86. Multioutput Transformer Coupled Low Quiescent Current Converter (12V to 5V, ±12V)

an30fa

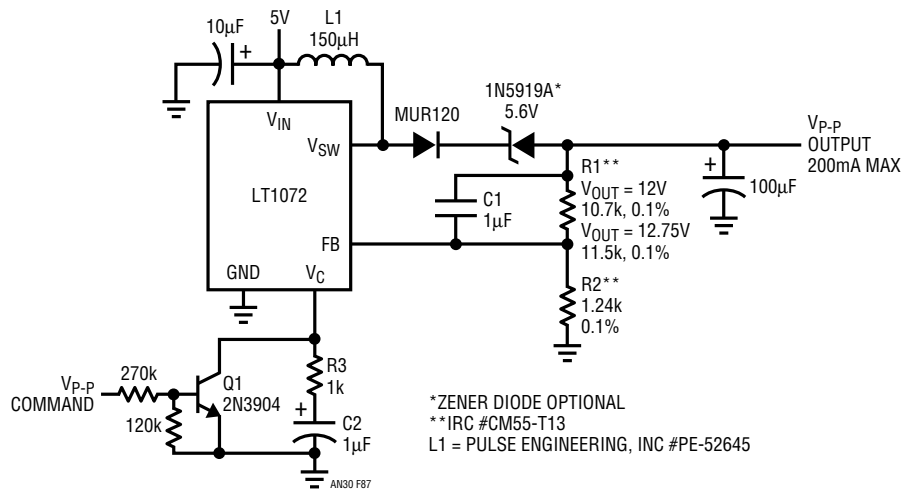


Figure 87. Basic Flash EPROM  $V_{p-p}$  Pulse Generator (5V to 12.75V or 12V)

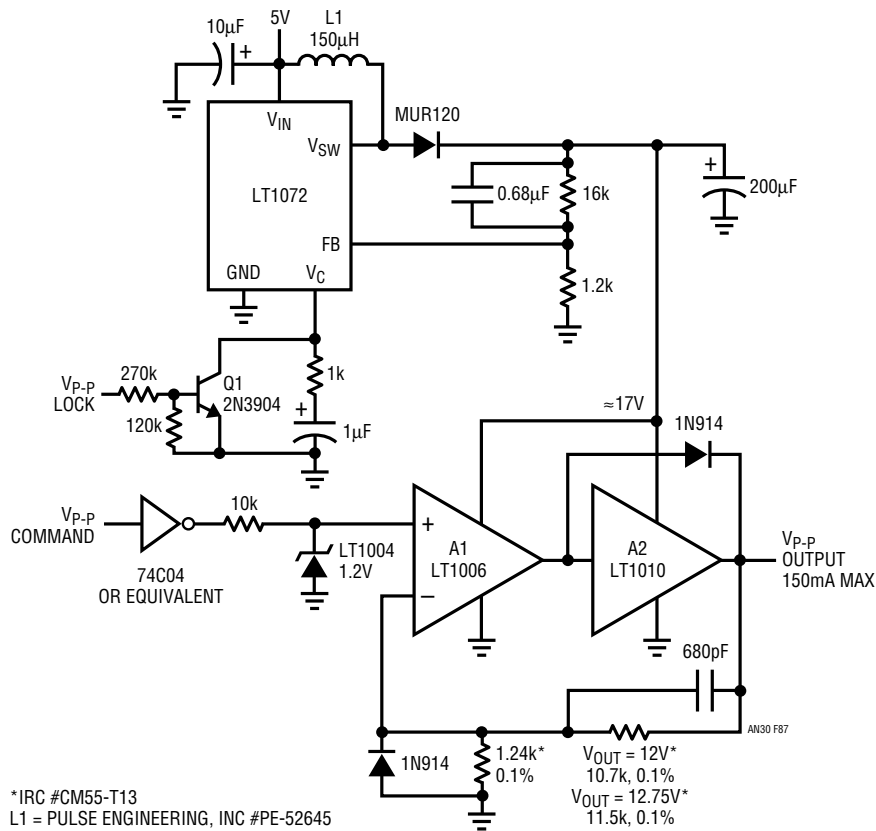


Figure 88. High Repetition Rate  $V_{p-p}$  Pulse Generator (5V to 12.75V or 12V)

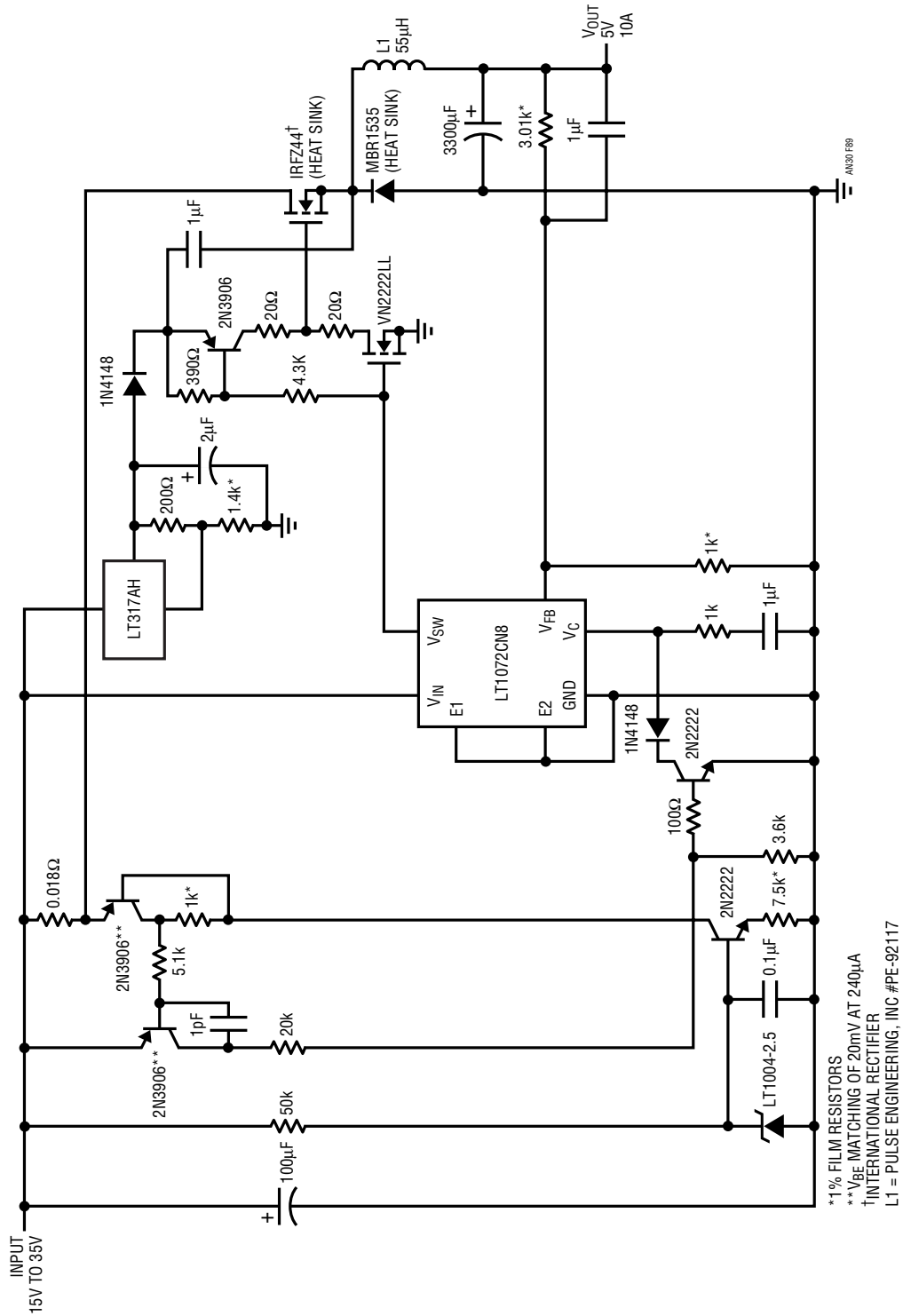


Figure 89. High Current Positive Buck with Bootstrapped NMOS Gate Drive (15V-35V to 5V)